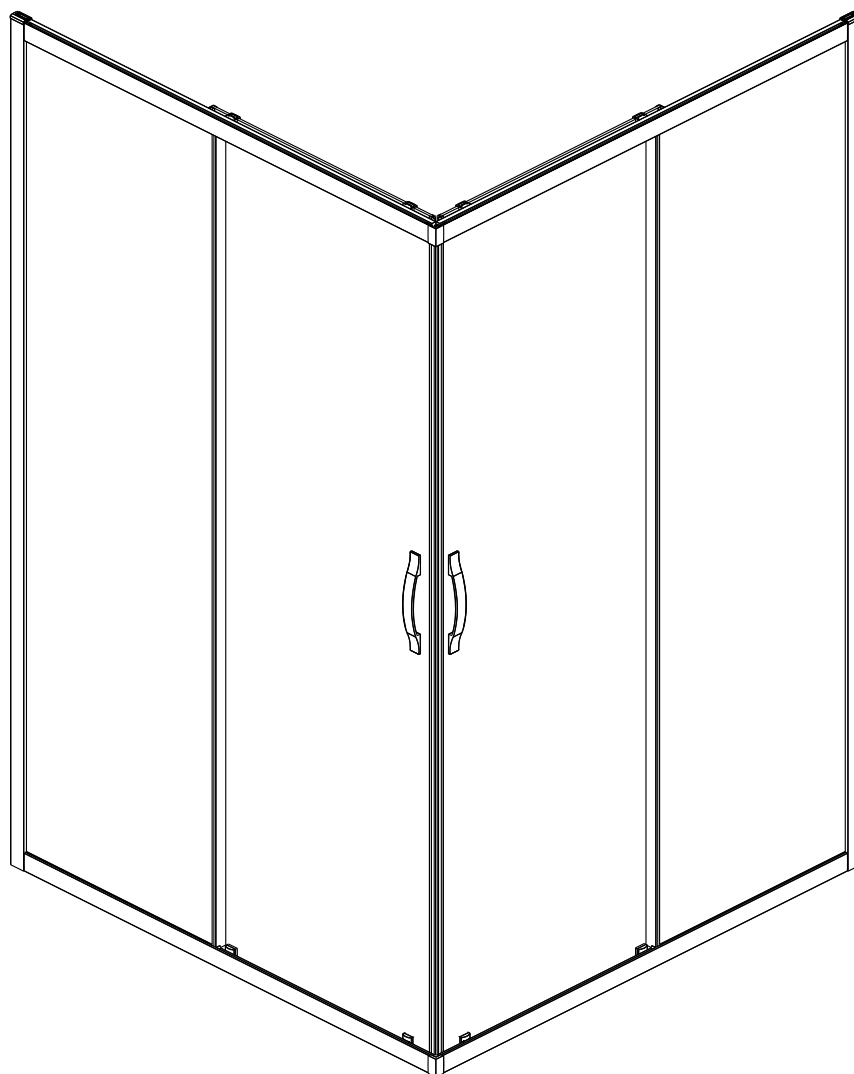


SIGMA SIMPLY

GS2180,GS2190,GS2110,GS2111
GS2112,GS2480,GS2490,GS2410

GS2180B,GS2190B,GS2110B,GS2111B
GS2112B,GS2480B,GS2490B,GS2410B



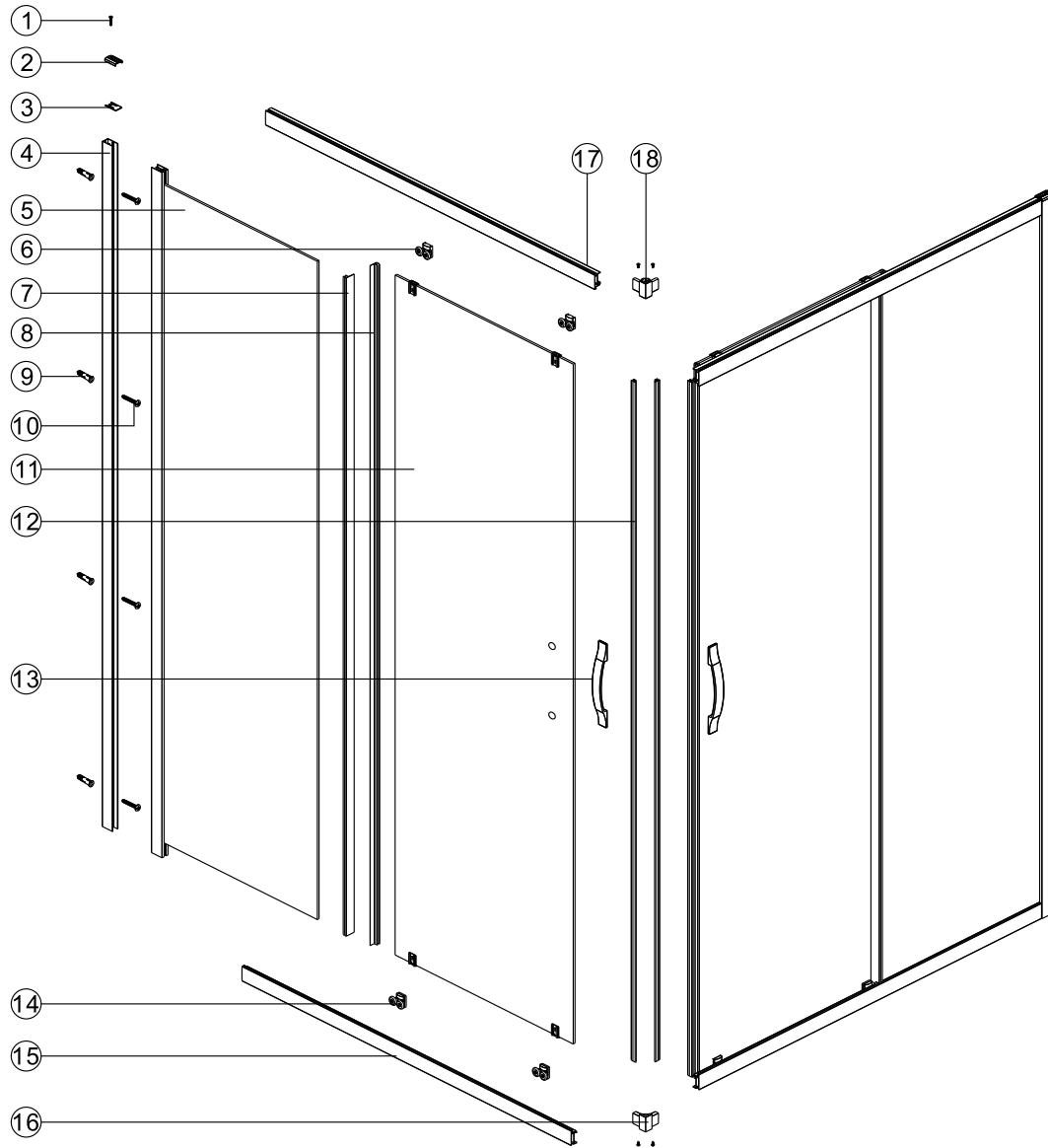
EN14428





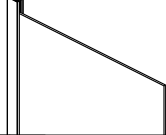
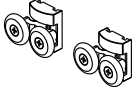




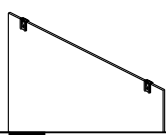


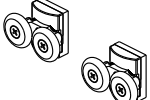

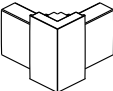
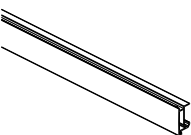
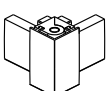
Glass shower enclosure
cleaning efficiency: conforming
impact resistance: conforming
operating life: conforming

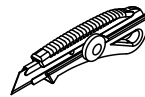
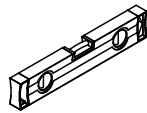
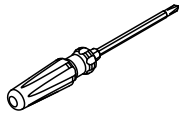
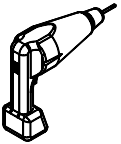
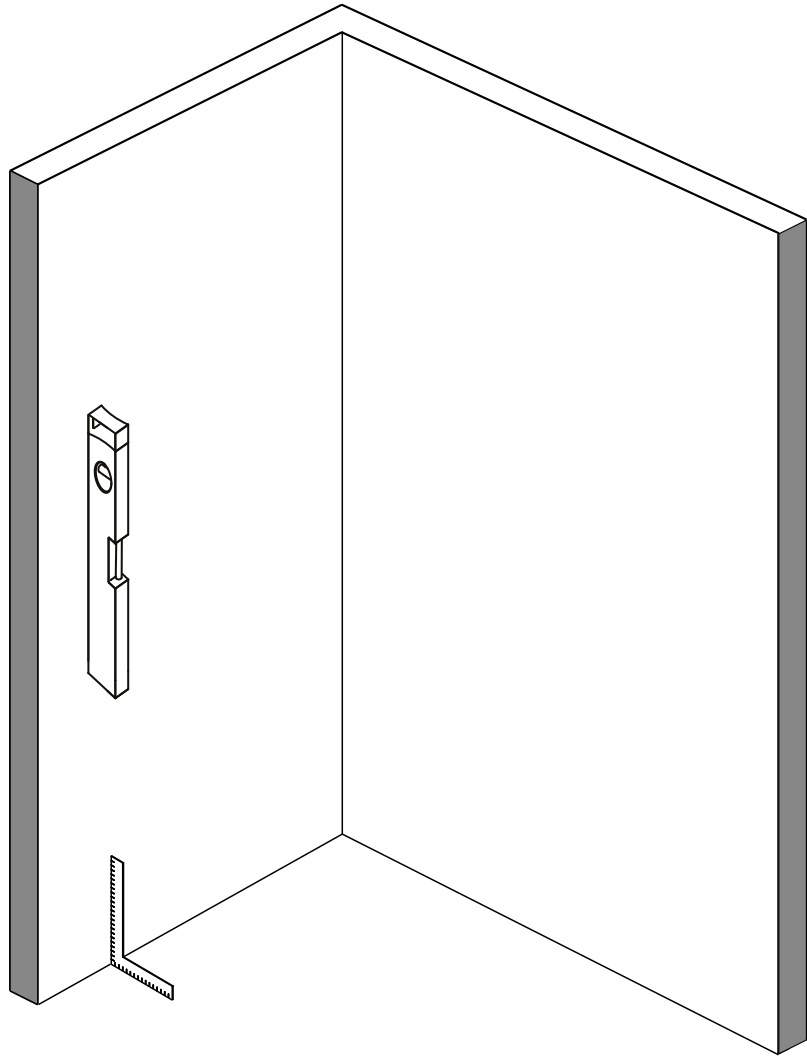
Skleněné sprchové zástěny
schopnost: vyhovuje
odolnost proti nárazu: vyhovuje
životnost: vyhovuje

The logo for GELCO, consisting of a stylized 'G' made of two overlapping squares (one blue, one orange) followed by the word 'GELCO' in a bold, blue, sans-serif font.

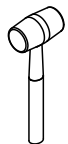
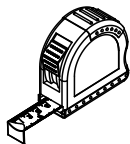
GELCO s.r.o., Makovského 1341, 163 000 Praha 6



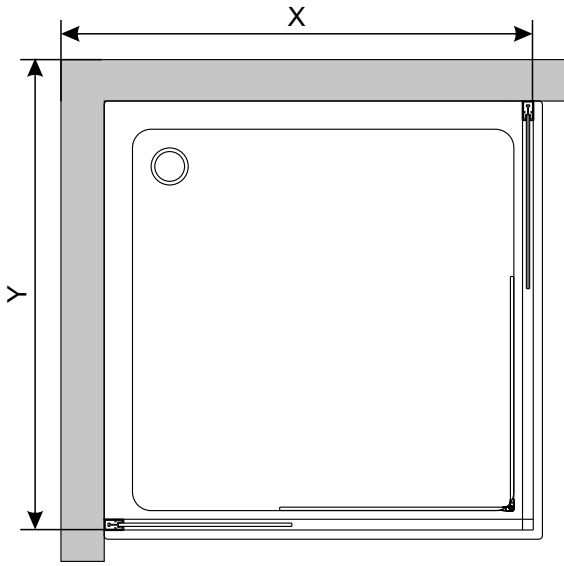
1 X1 	2 X1 	3 X1 	4 X1 	5 X1 	6 X2 
7 X1 	8 X1 	9 X4 	10 X4 	11 X1 	12 X2 
13 X1 	14 X2 	15 X1 	16 X1 	17 X1 	18 X1 



Ø 6mm

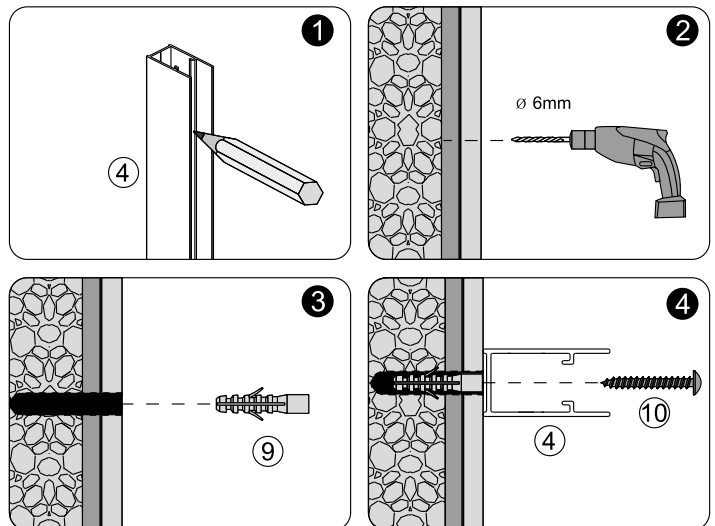
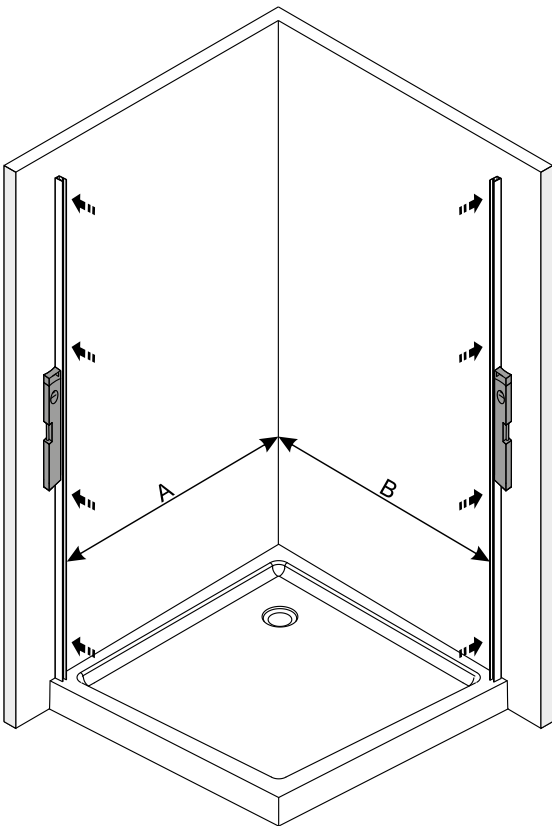


A 01

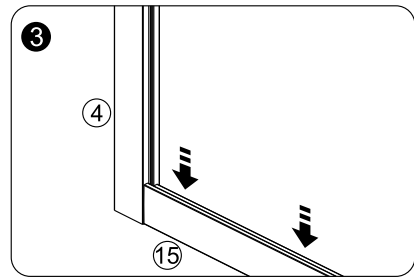
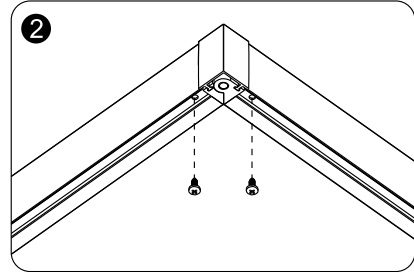
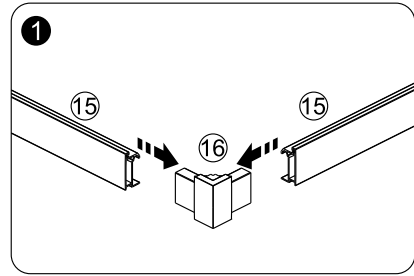
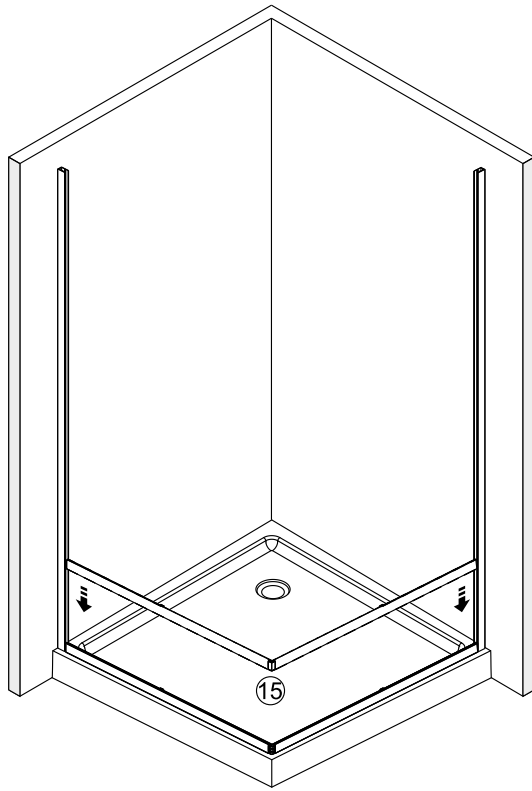


SIZE	X,mm	Y,mm
800X800	780~800	780~800
900X900	880~900	880~900
1000X1000	980~1000	980~1000
1100X1100	1080~1100	1080~1100
1200X1200	1180~1200	1180~1200

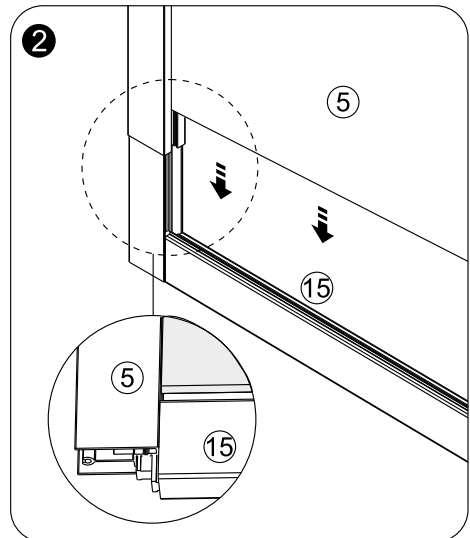
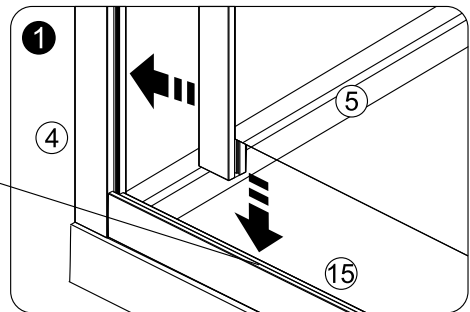
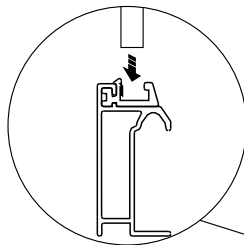
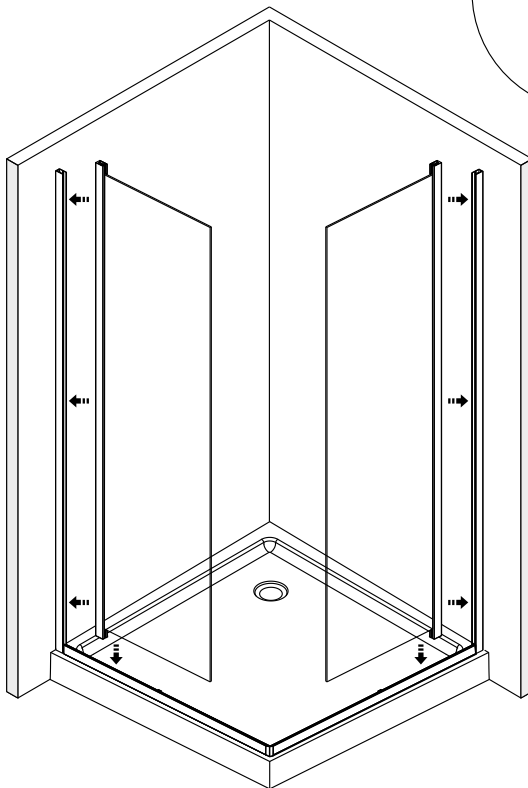
A 02



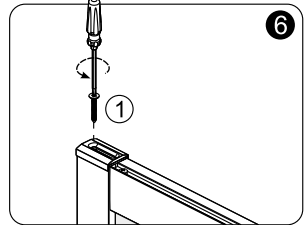
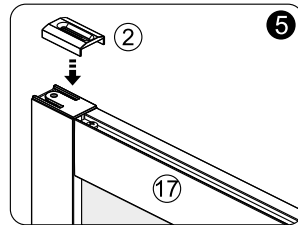
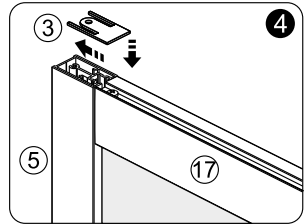
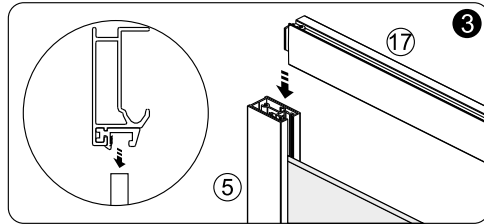
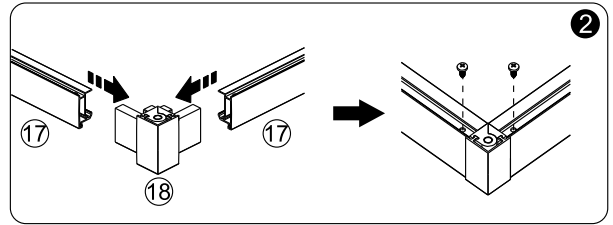
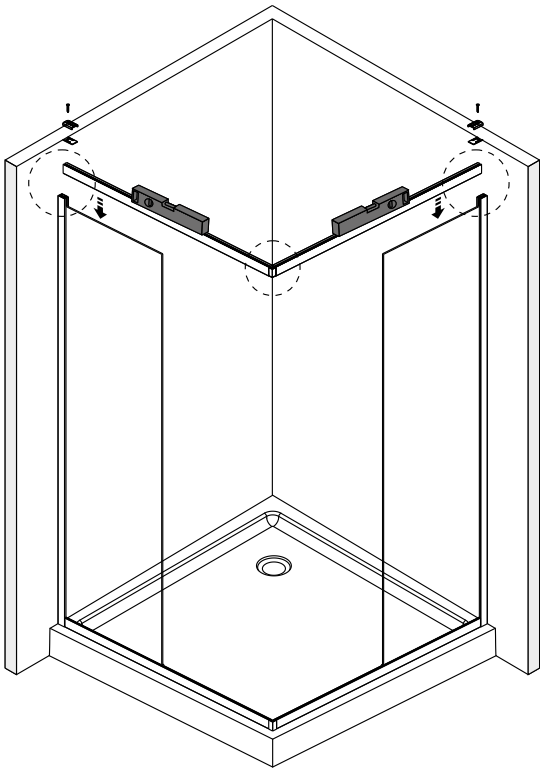
A 03



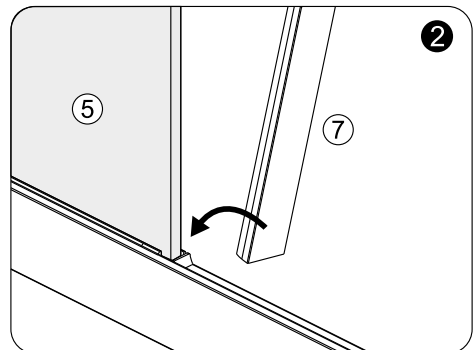
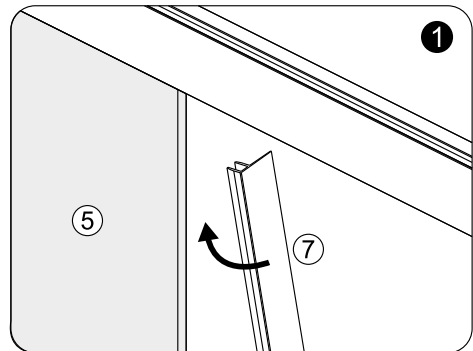
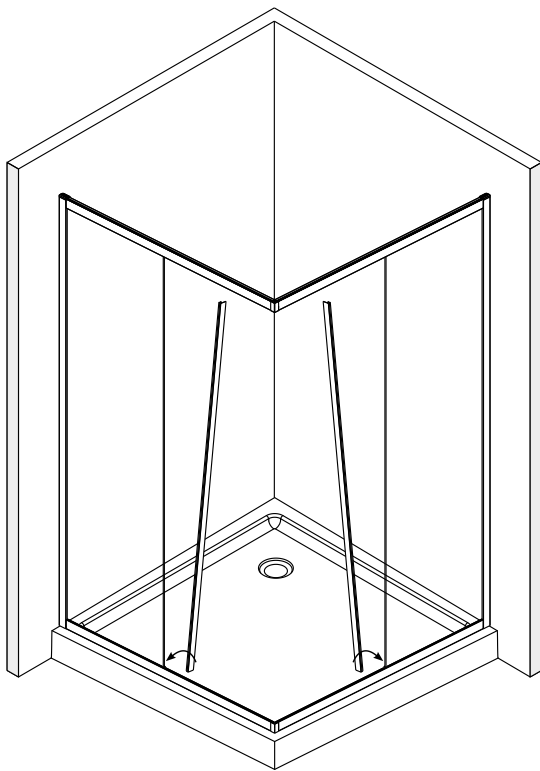
A 04



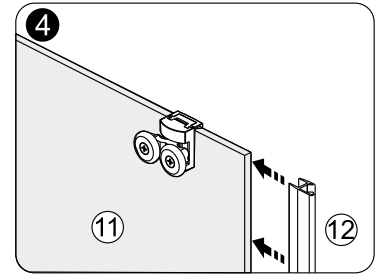
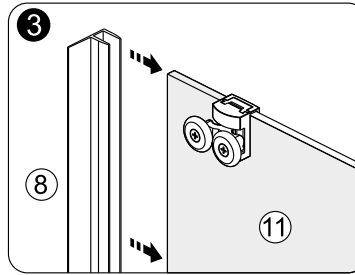
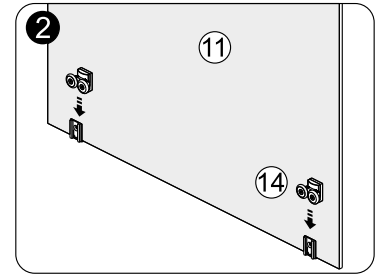
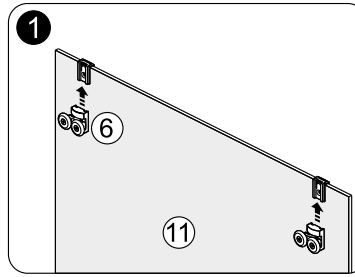
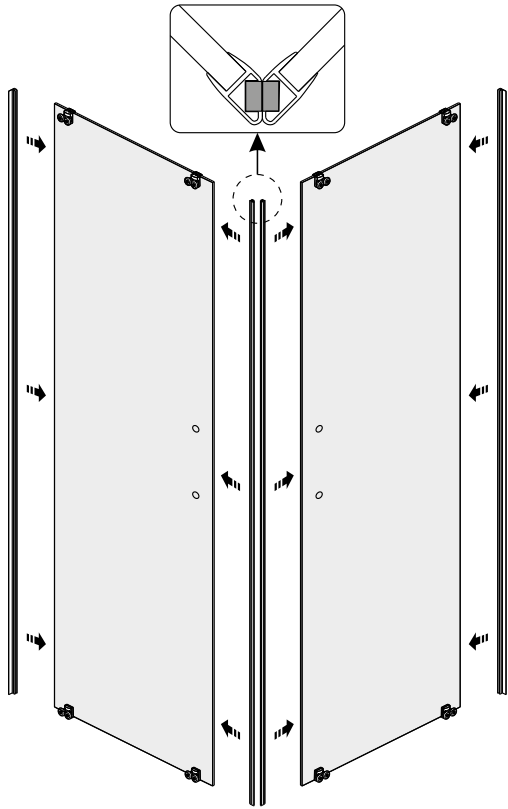
A 05



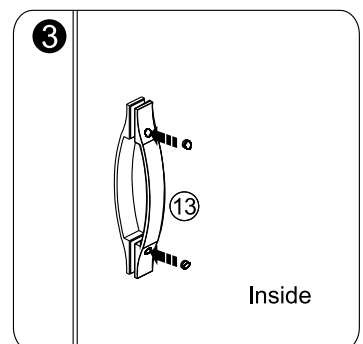
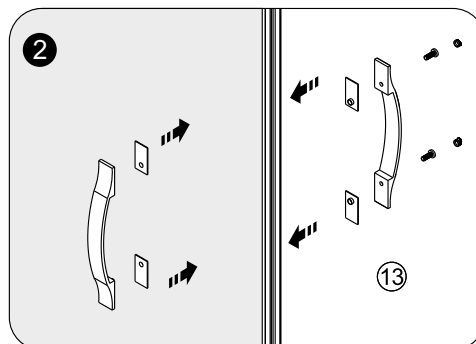
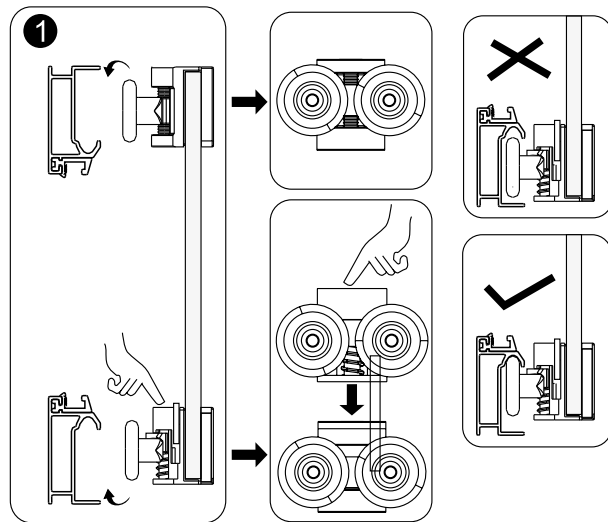
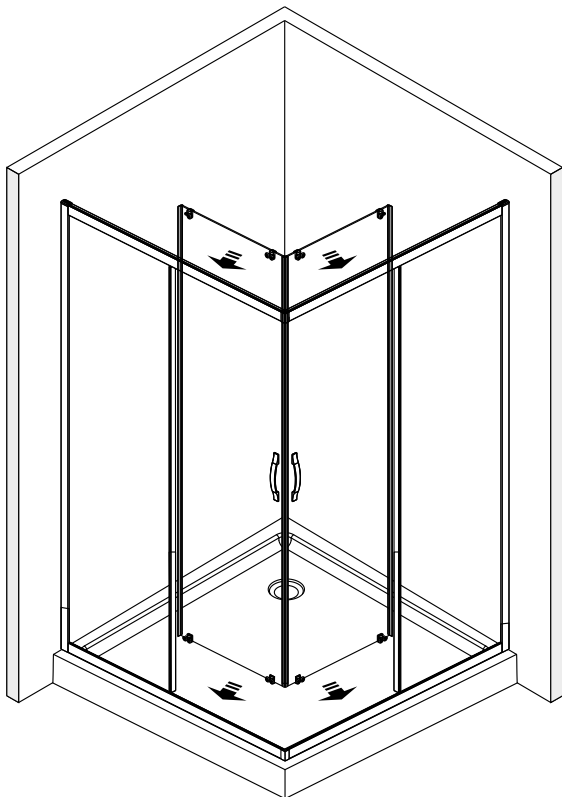
A 06



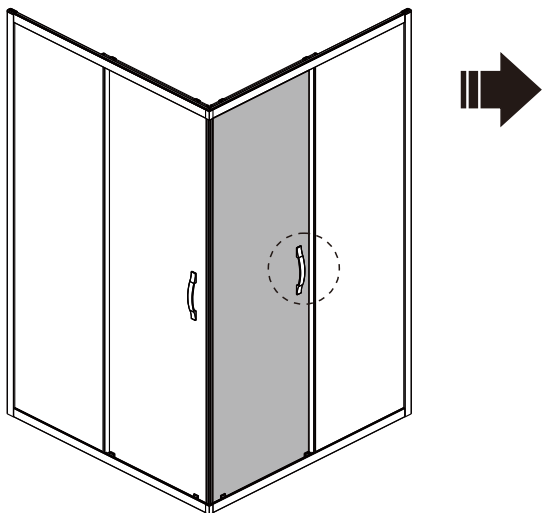
A 07



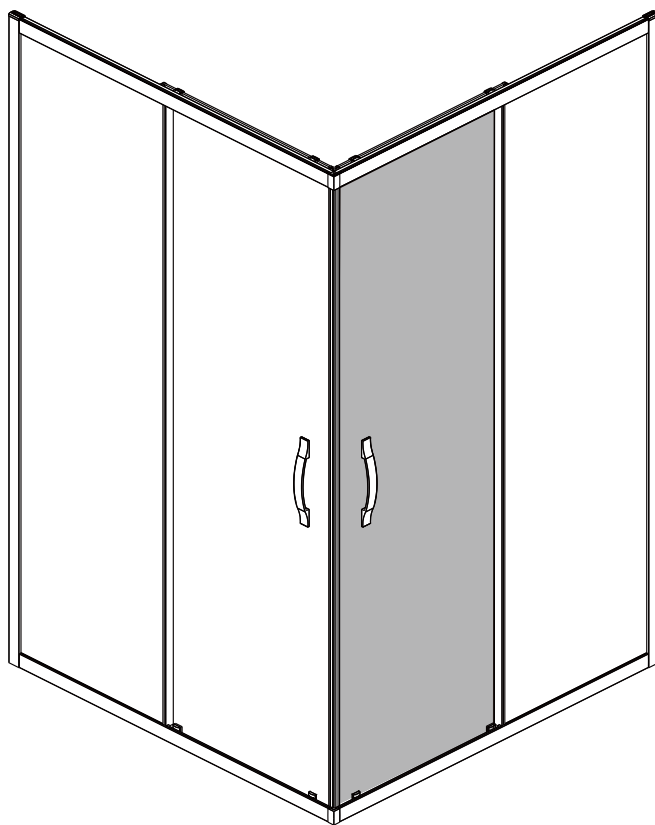
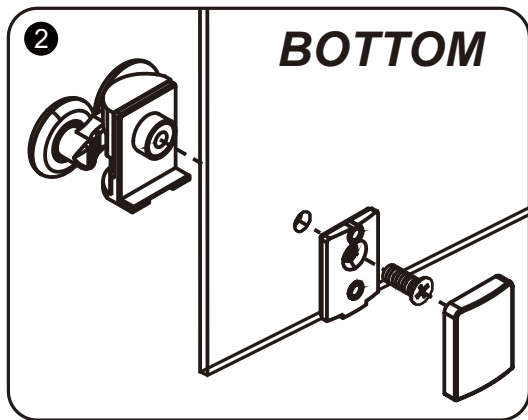
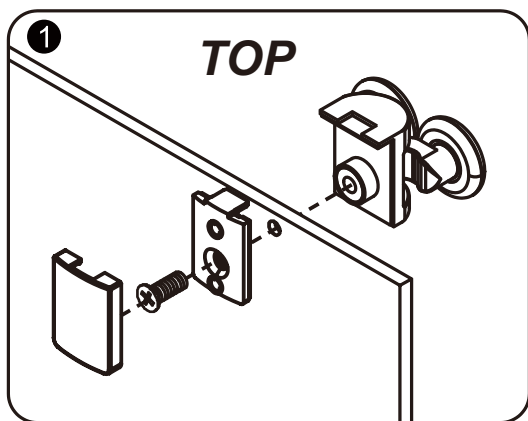
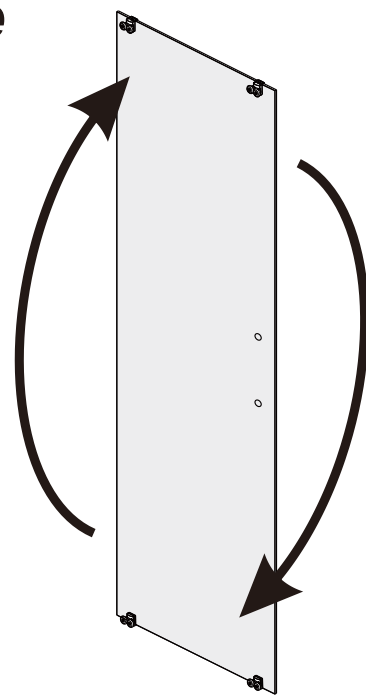
A 08



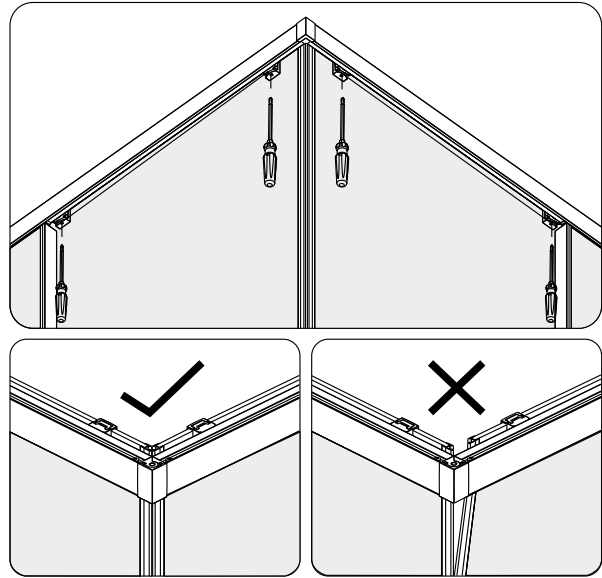
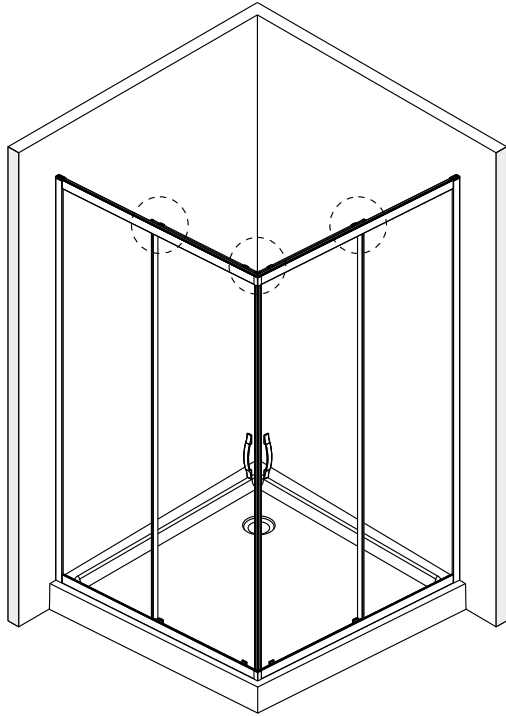
If all handles at right.



**Exchange
top and
bottom
rollers.**



A 10



A 11

