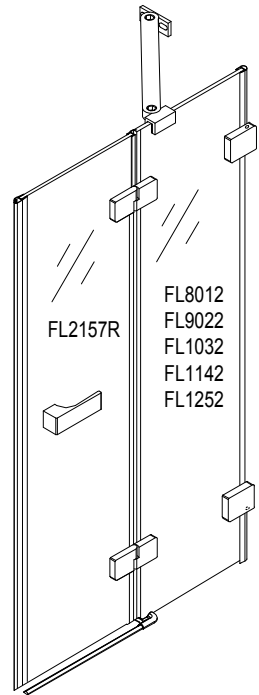
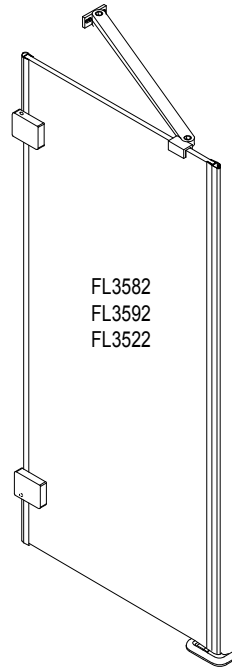
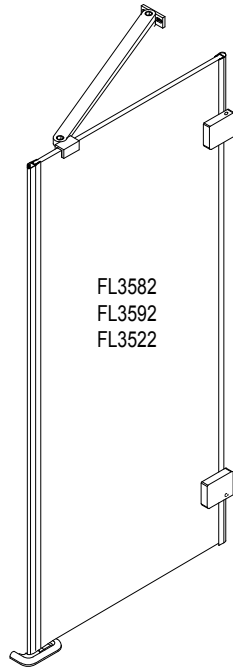
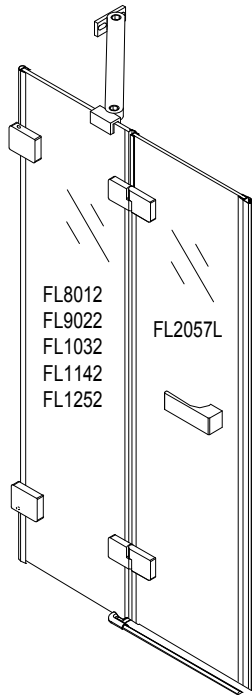
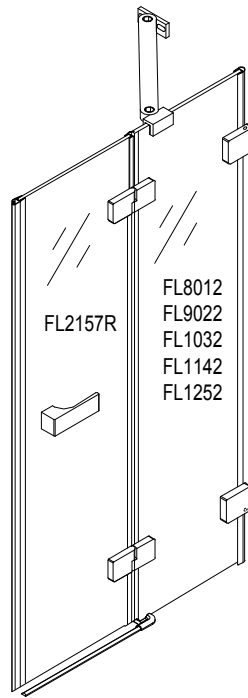
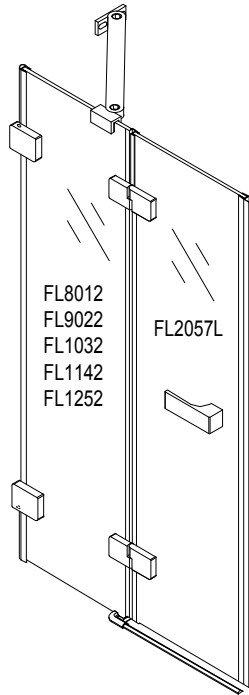
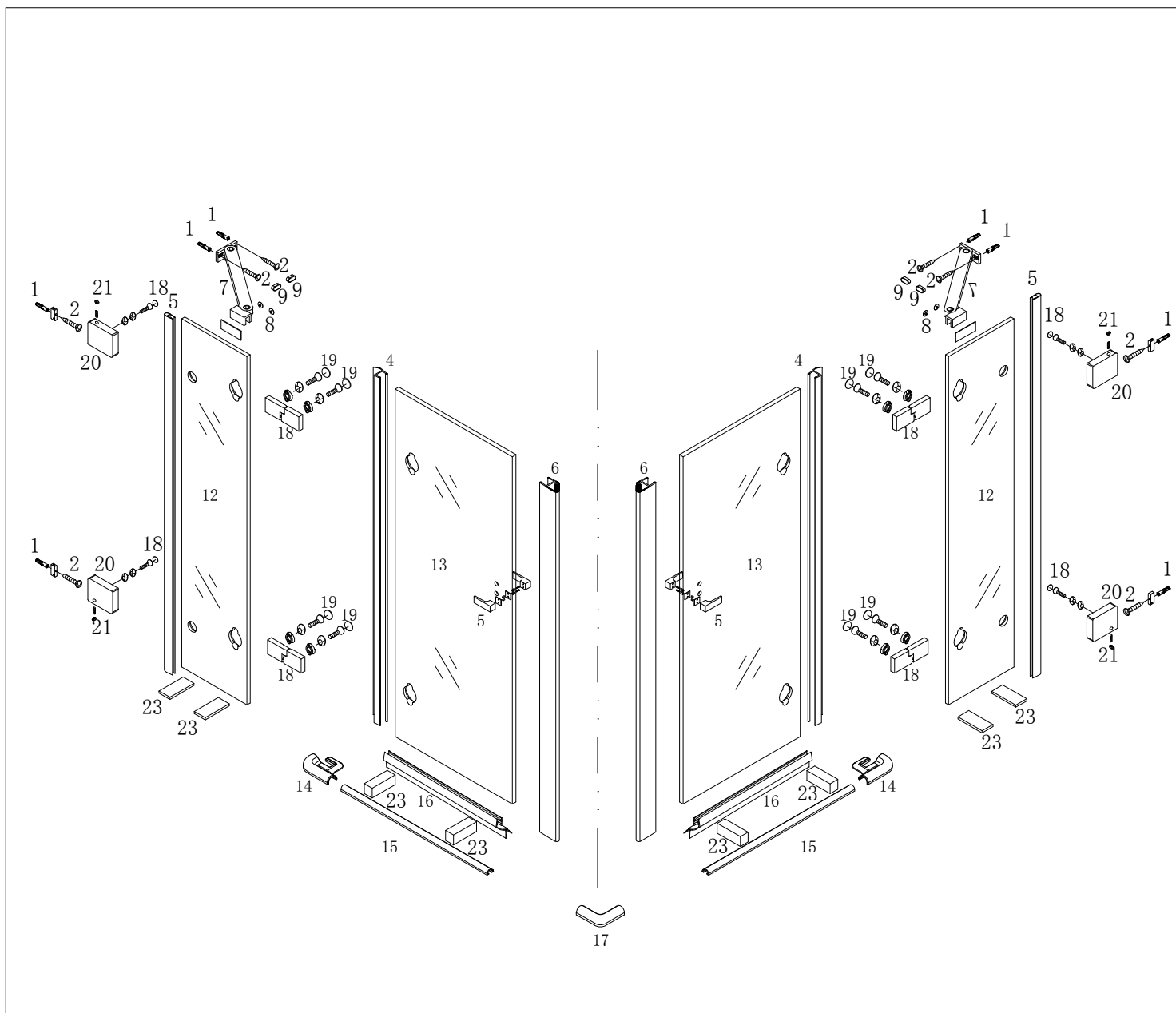

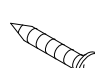

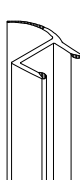
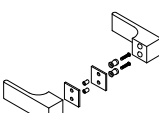
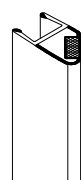






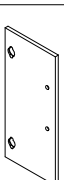
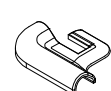
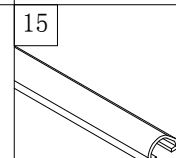
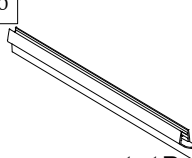

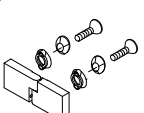

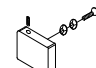
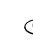
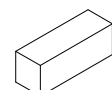
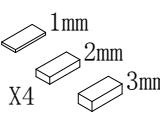


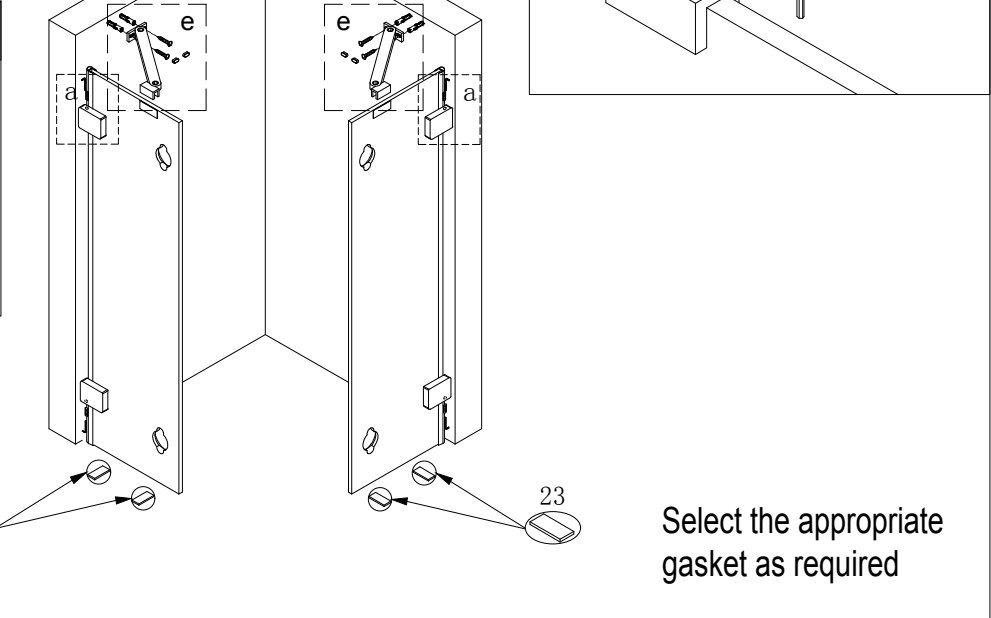
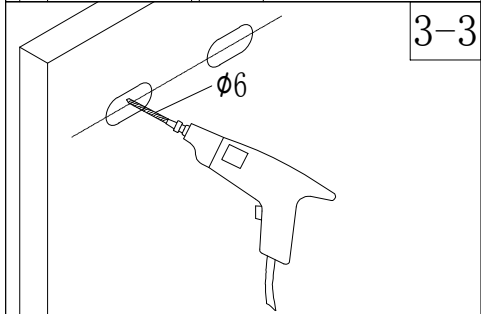
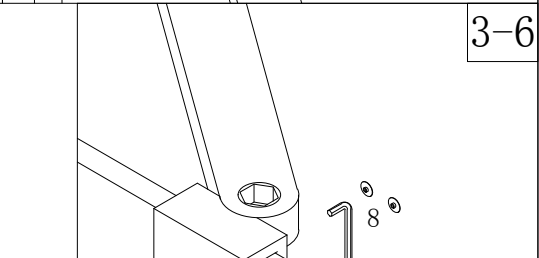
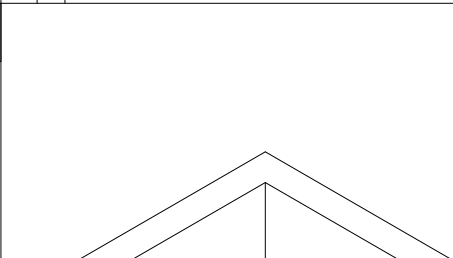
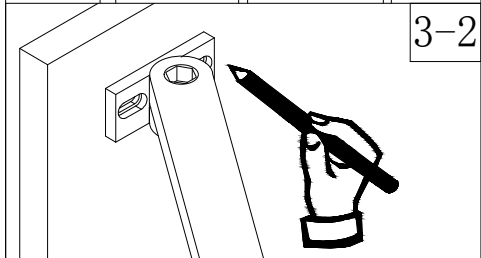
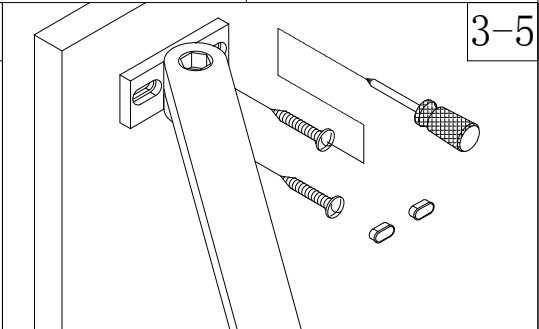
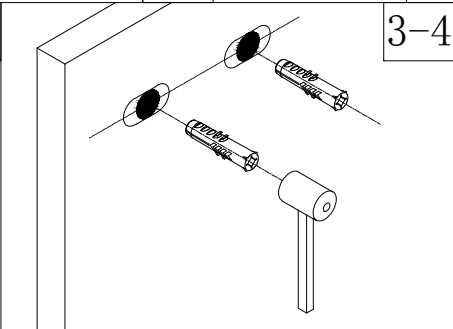
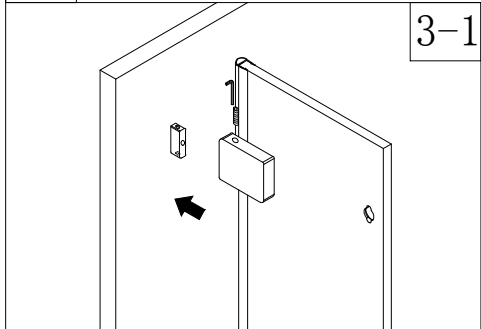
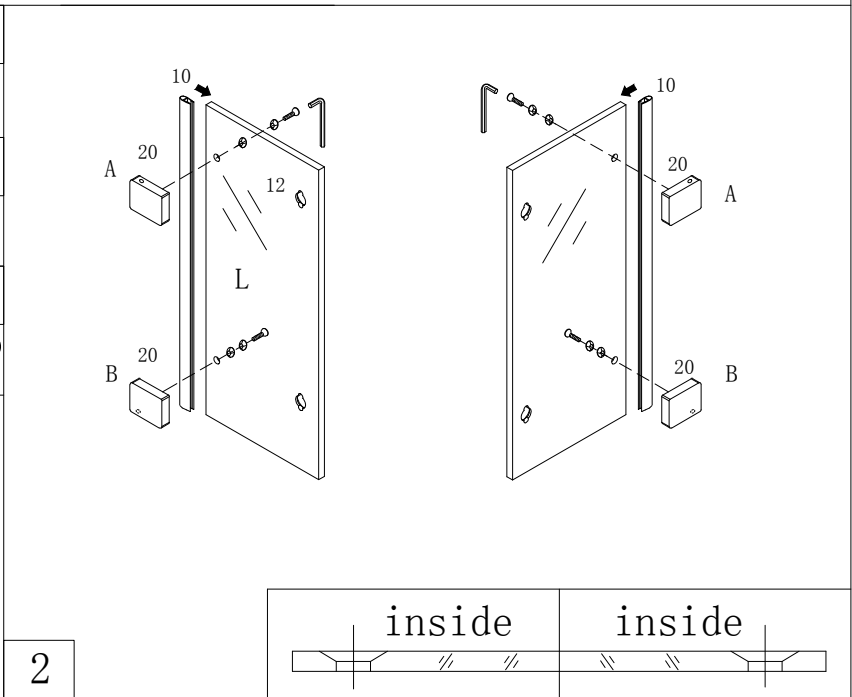
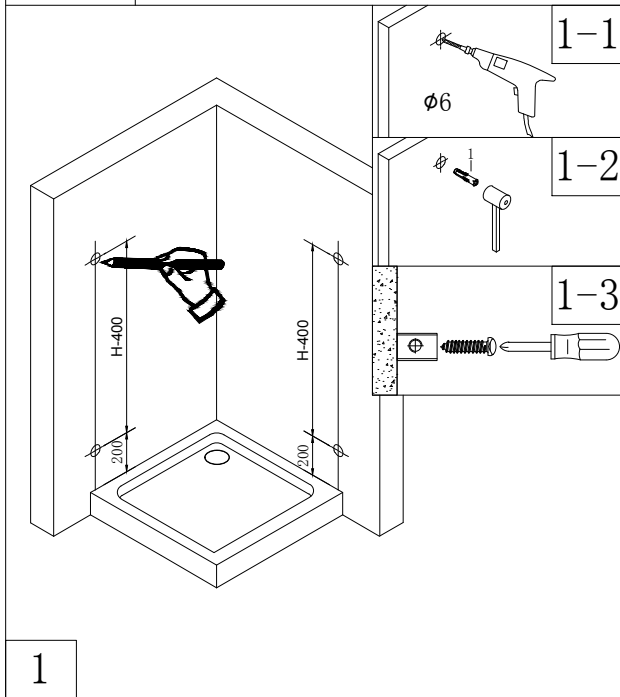
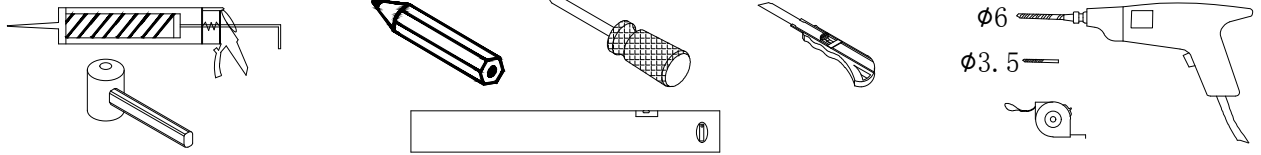
FORTIS EDGE





1	2	3	4	5	6
	ST4X30 	L R 			
5+5Pcs	5+5Pcs	1+1Pc	1+1Pc	1Pc	1+1Pc
7	8	9	10	11	12
					II 
1+1Pc	2+2Pcs	2+2Pcs	1+1Pc	2+2Pc	1+1Pc
13	14	15	16	17	18
					
1+1Pc	1+1Pc	1+1Pc	1+1Pc	1Pc	2+2Pcs
19	20	21	22	23	
				1mm 2mm 3mm 	
4+4Pcs	2+2Pc	2+2Pc	2Pcs	X4 X4 X4 12Pcs	

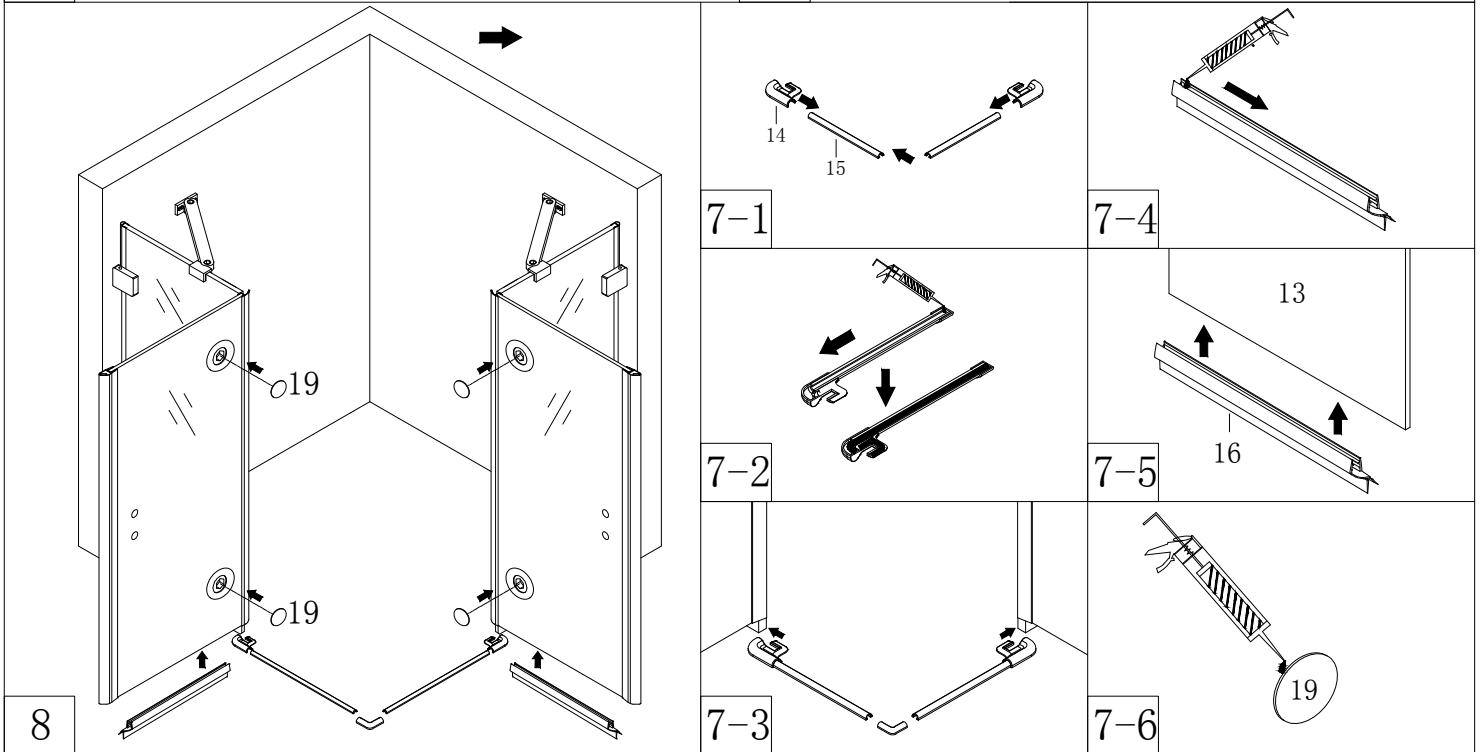
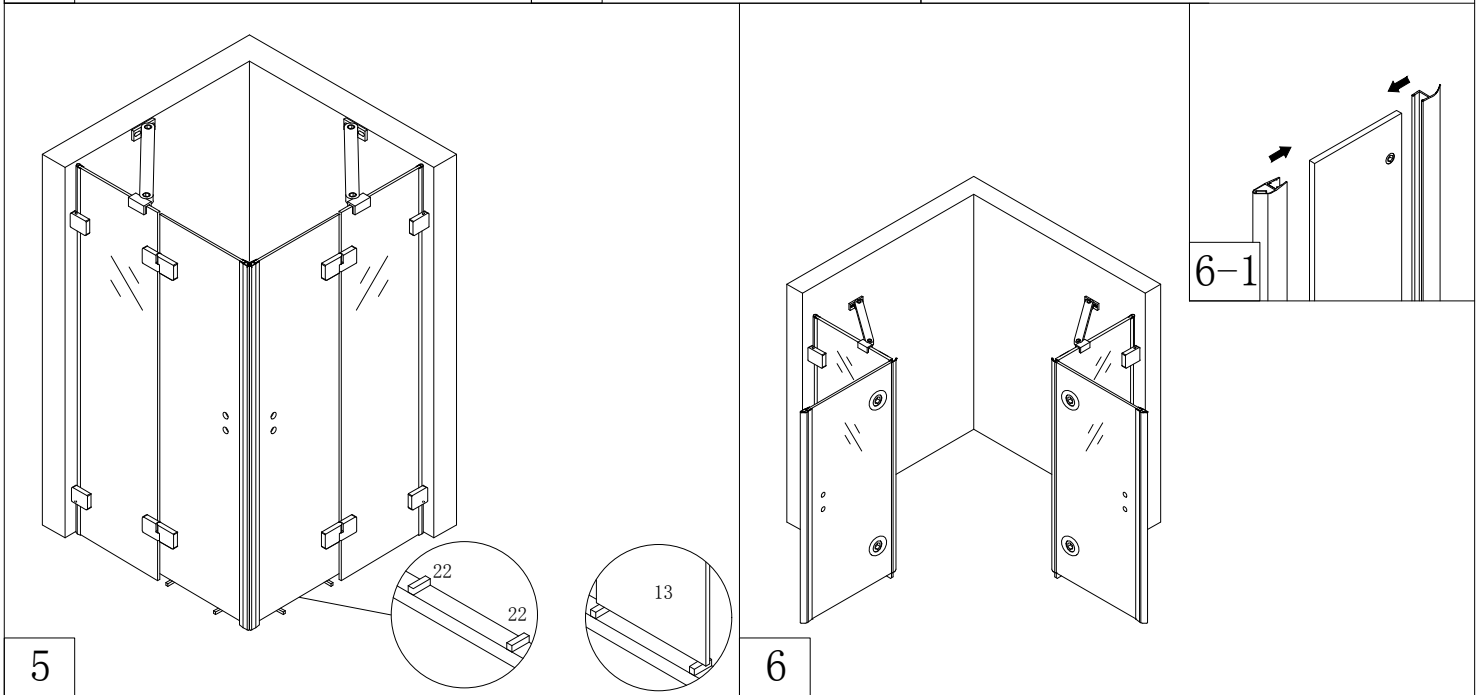
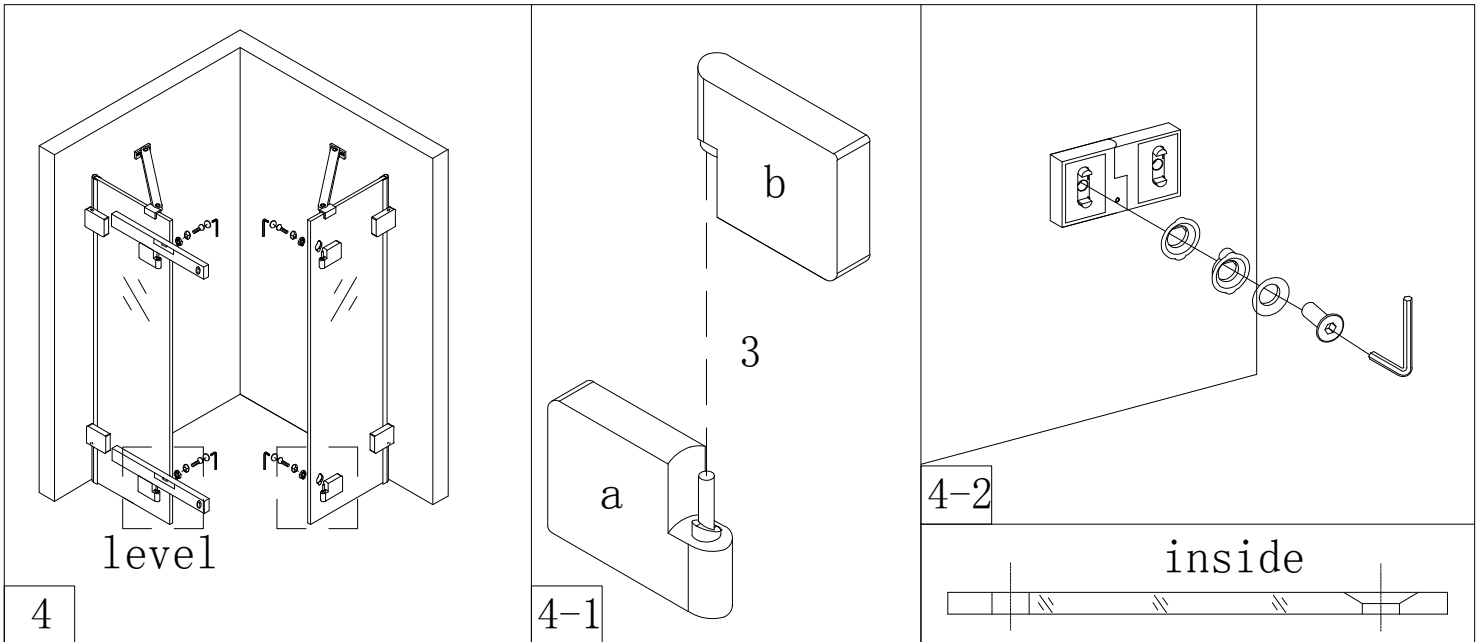
Tools:

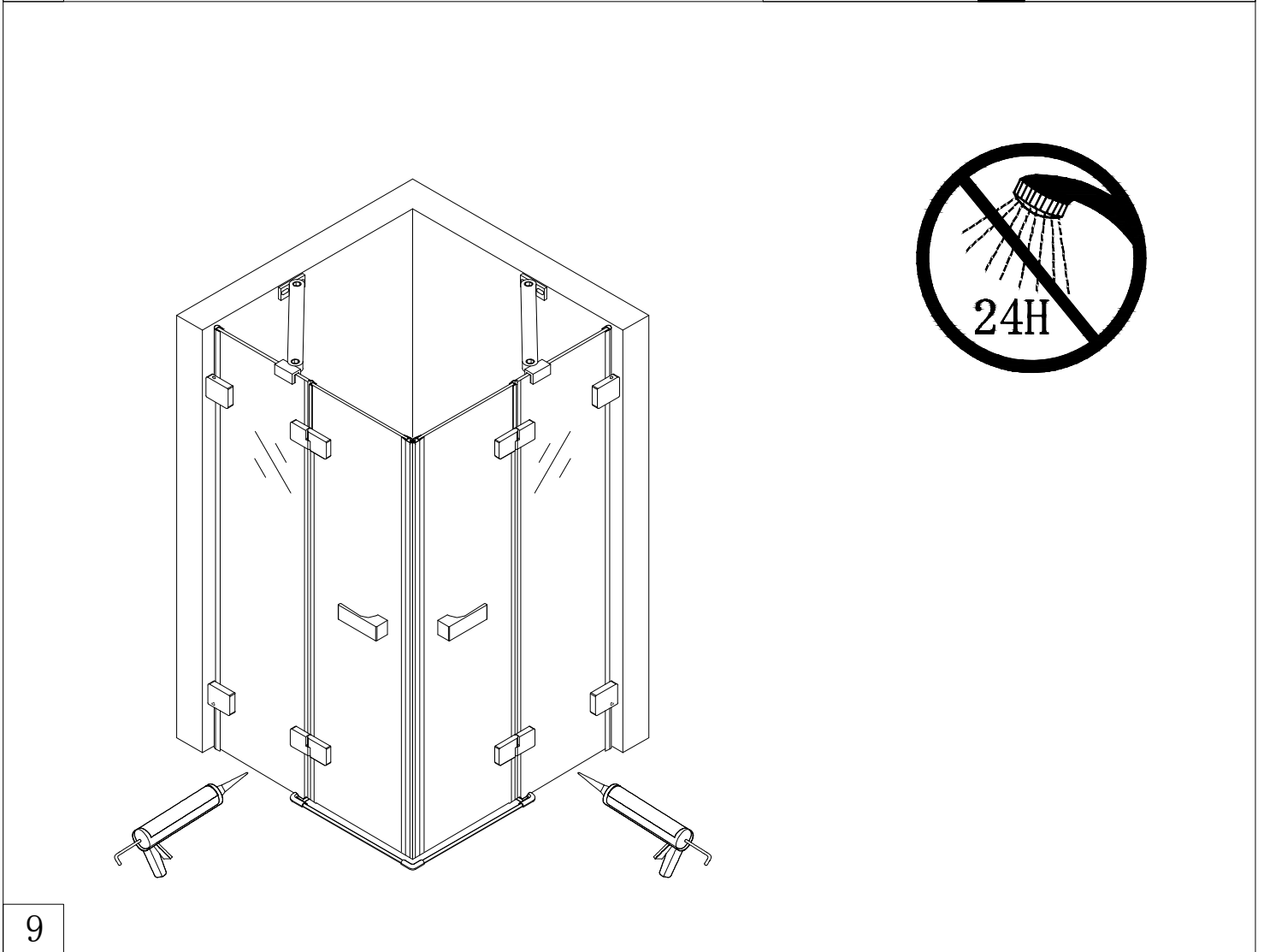
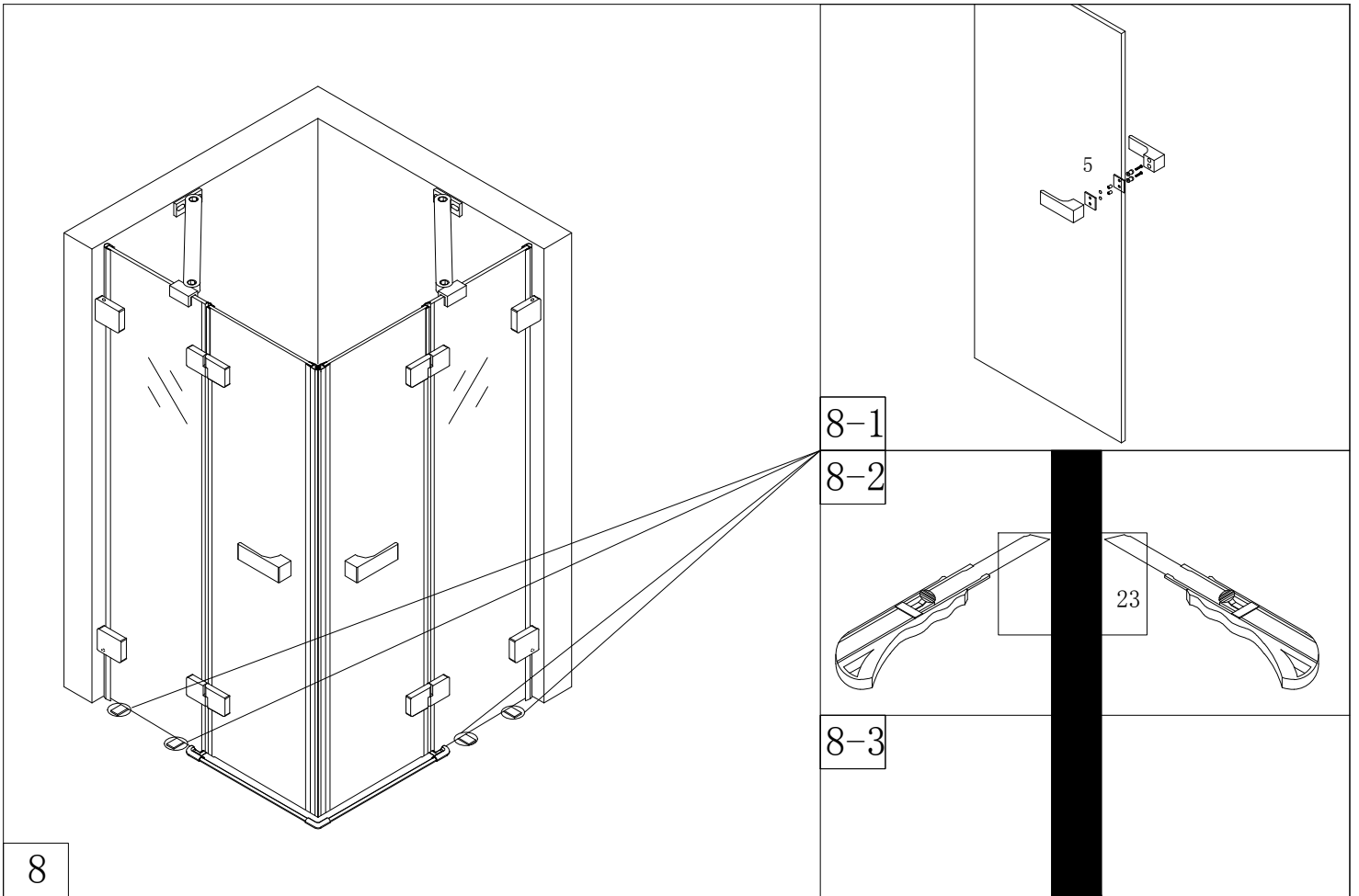


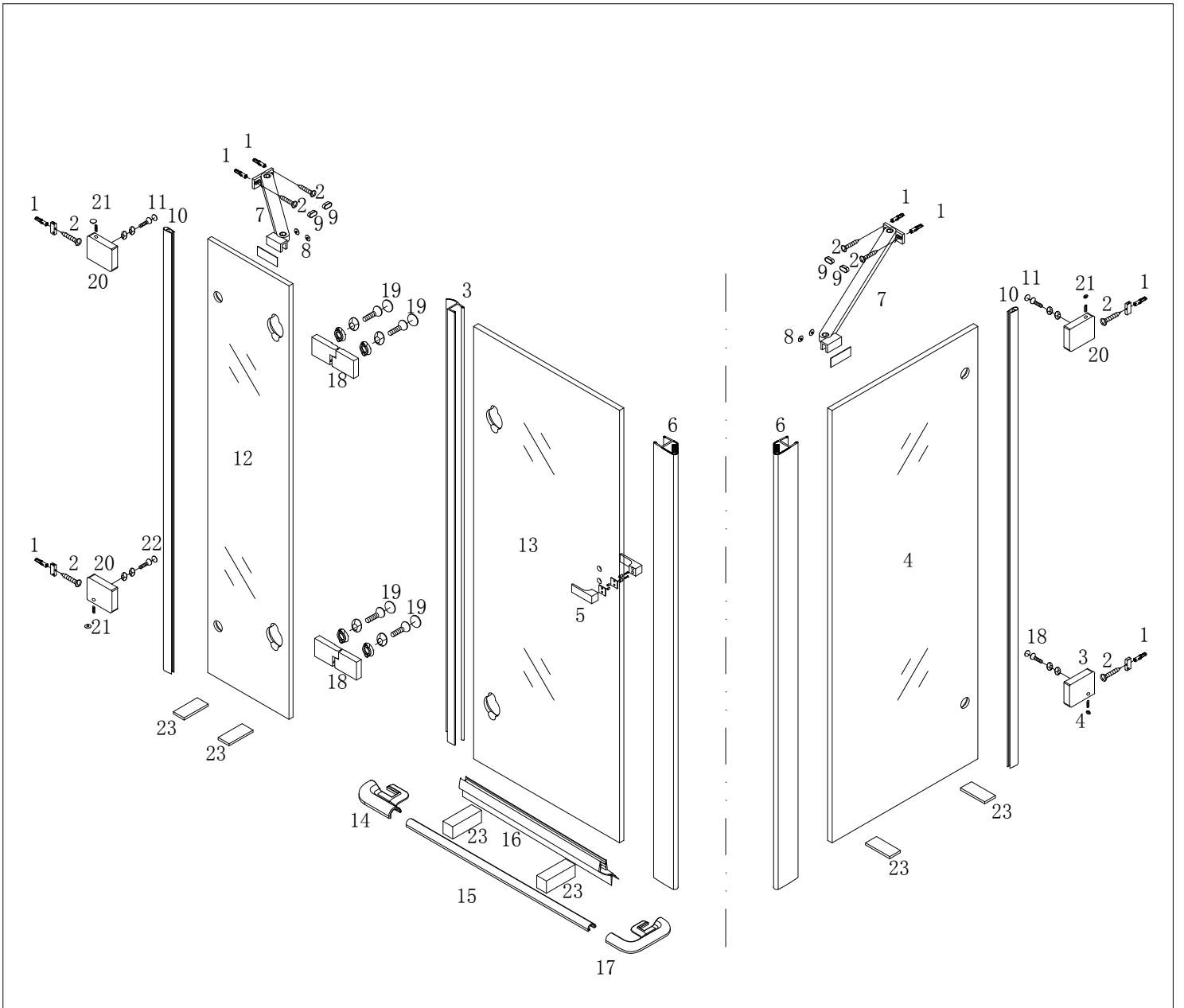
3

Select the appropriate gasket as required

Select the appropriate gasket as required

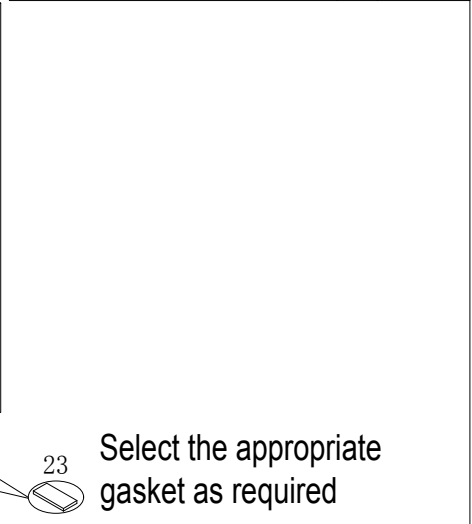
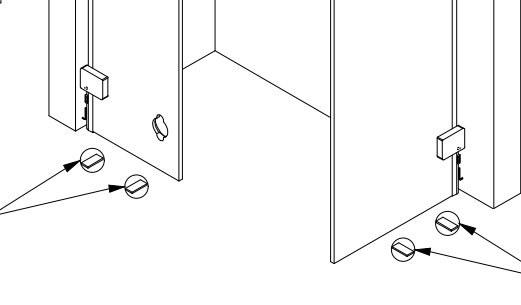
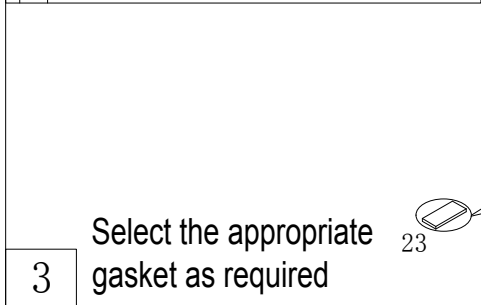
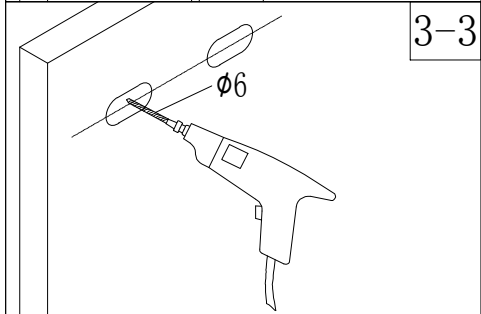
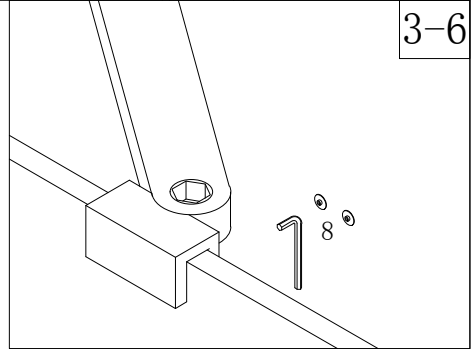
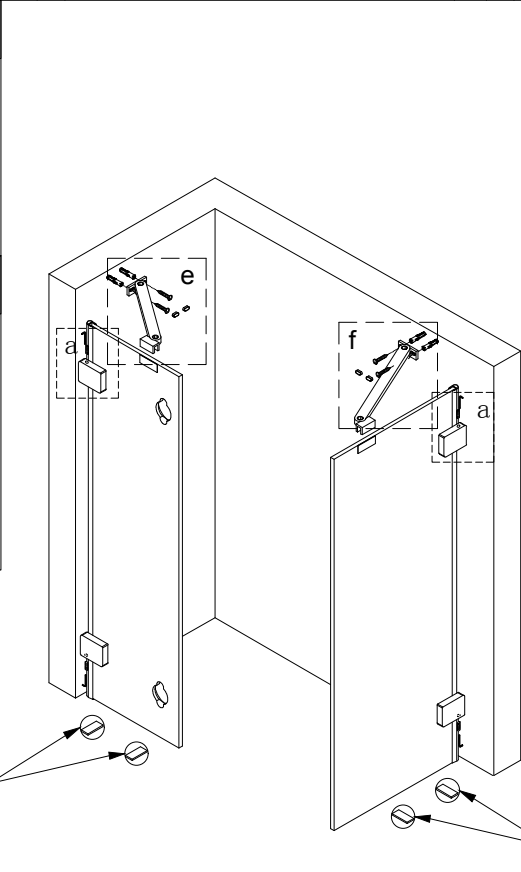
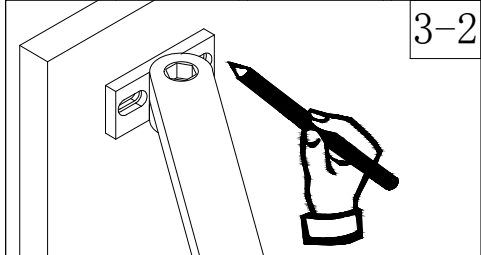
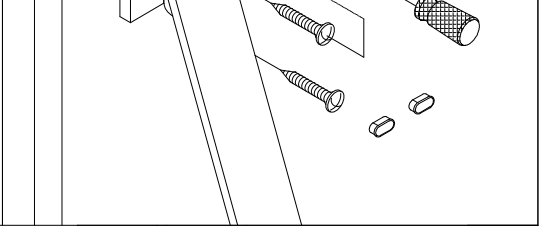
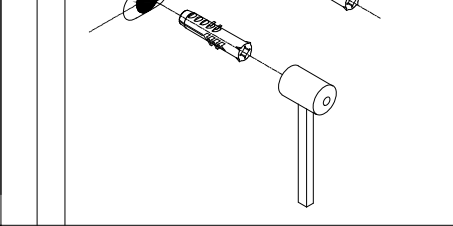
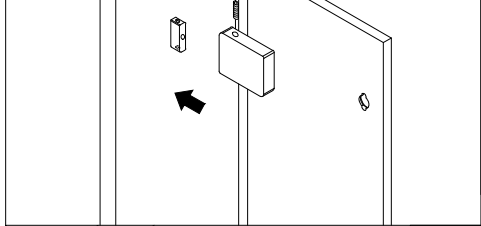
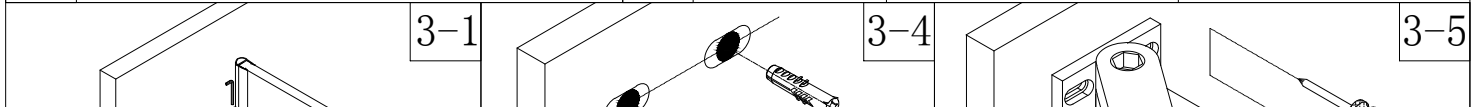
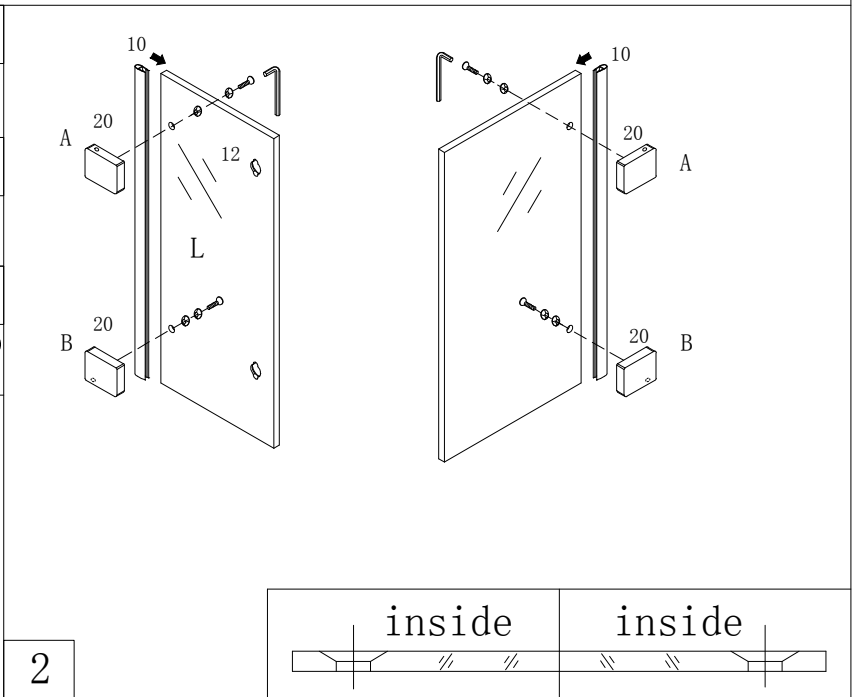
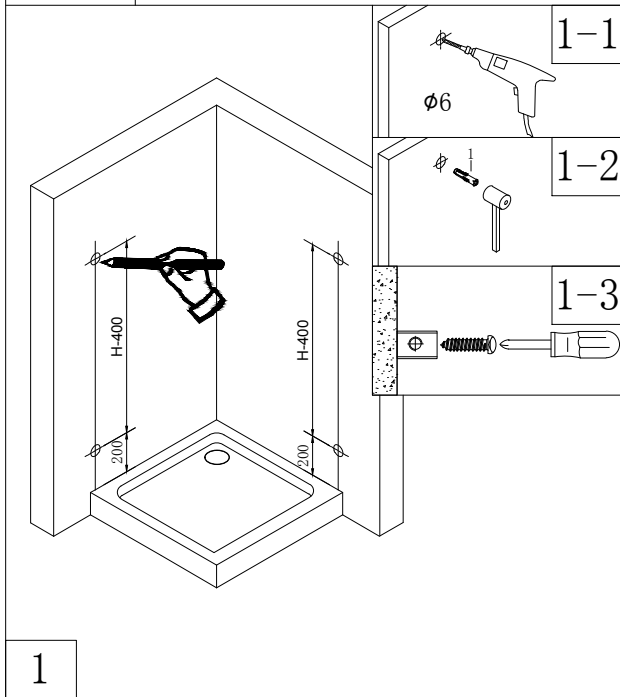
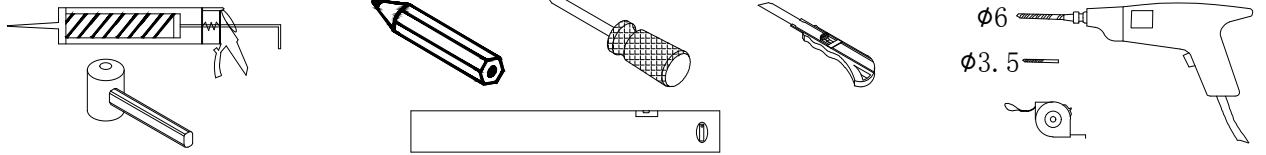


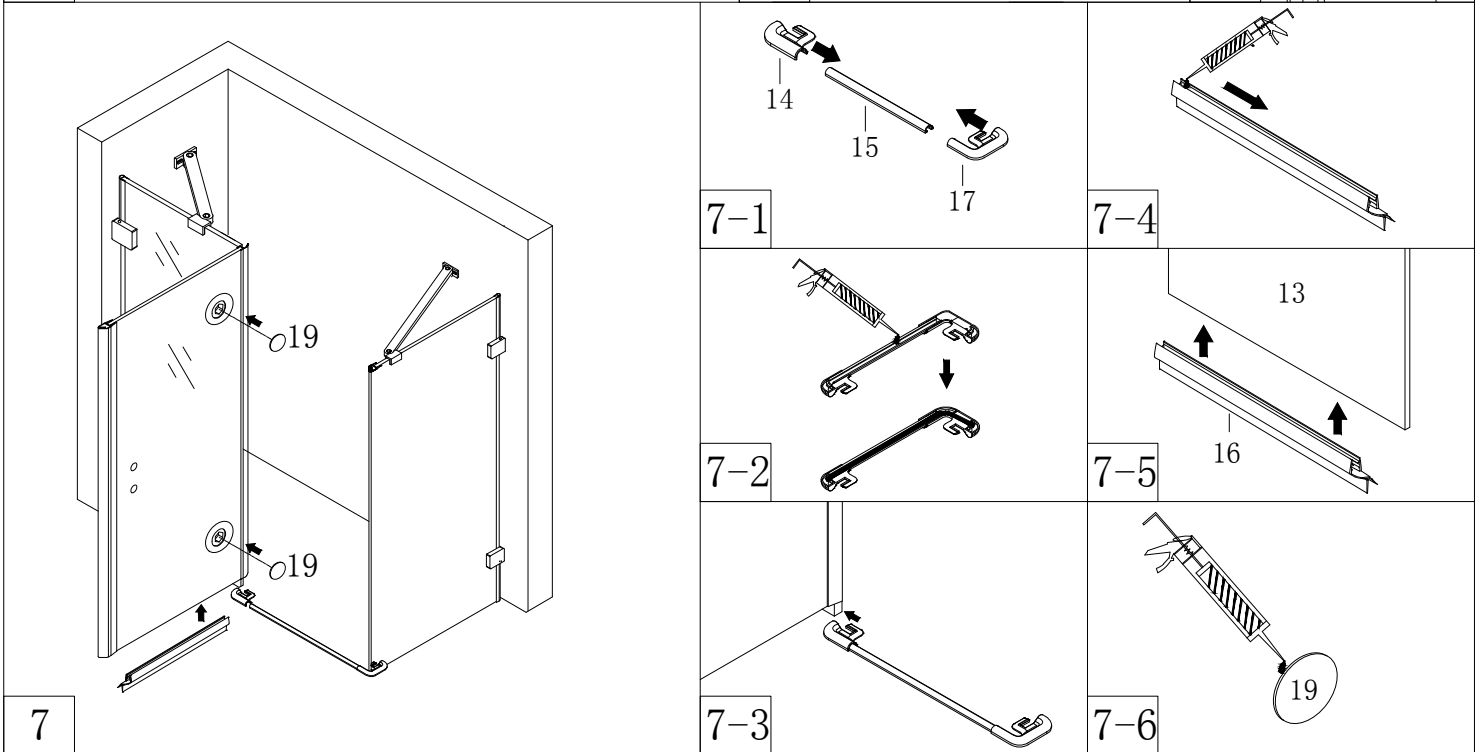
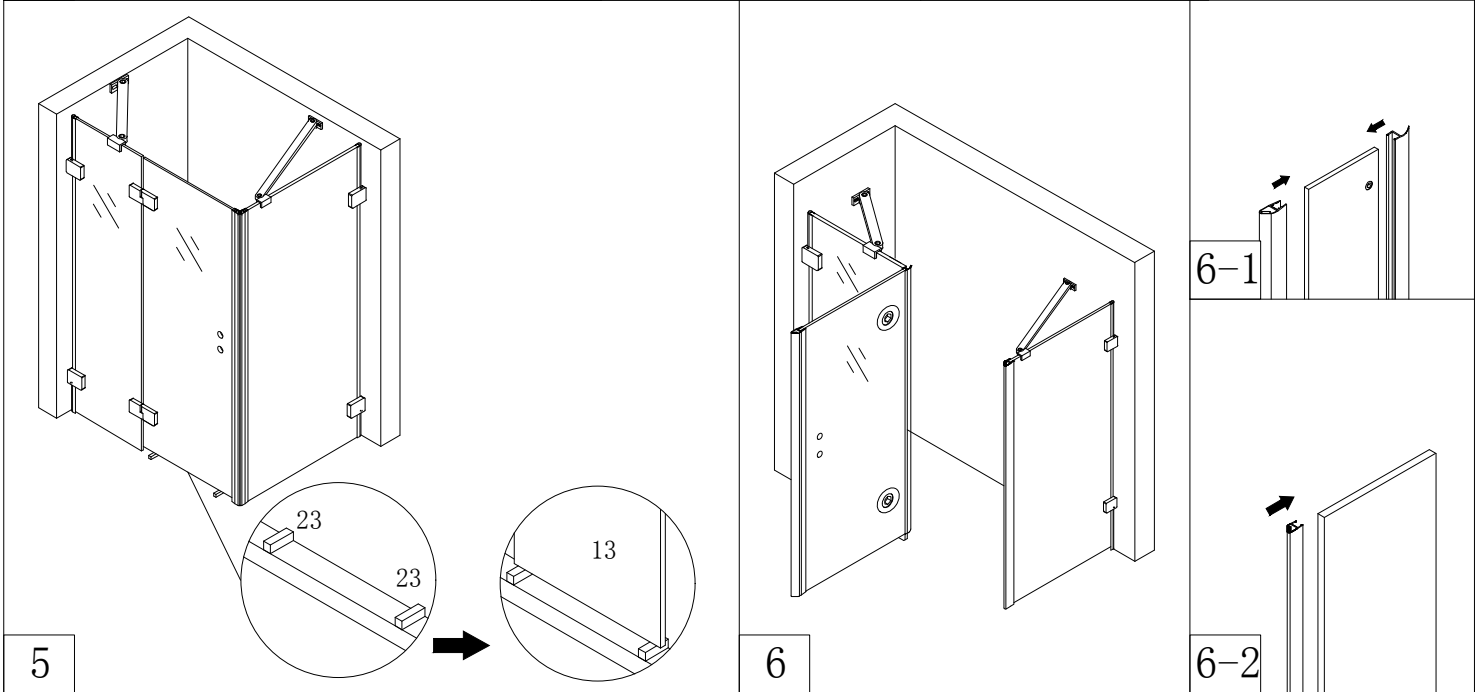
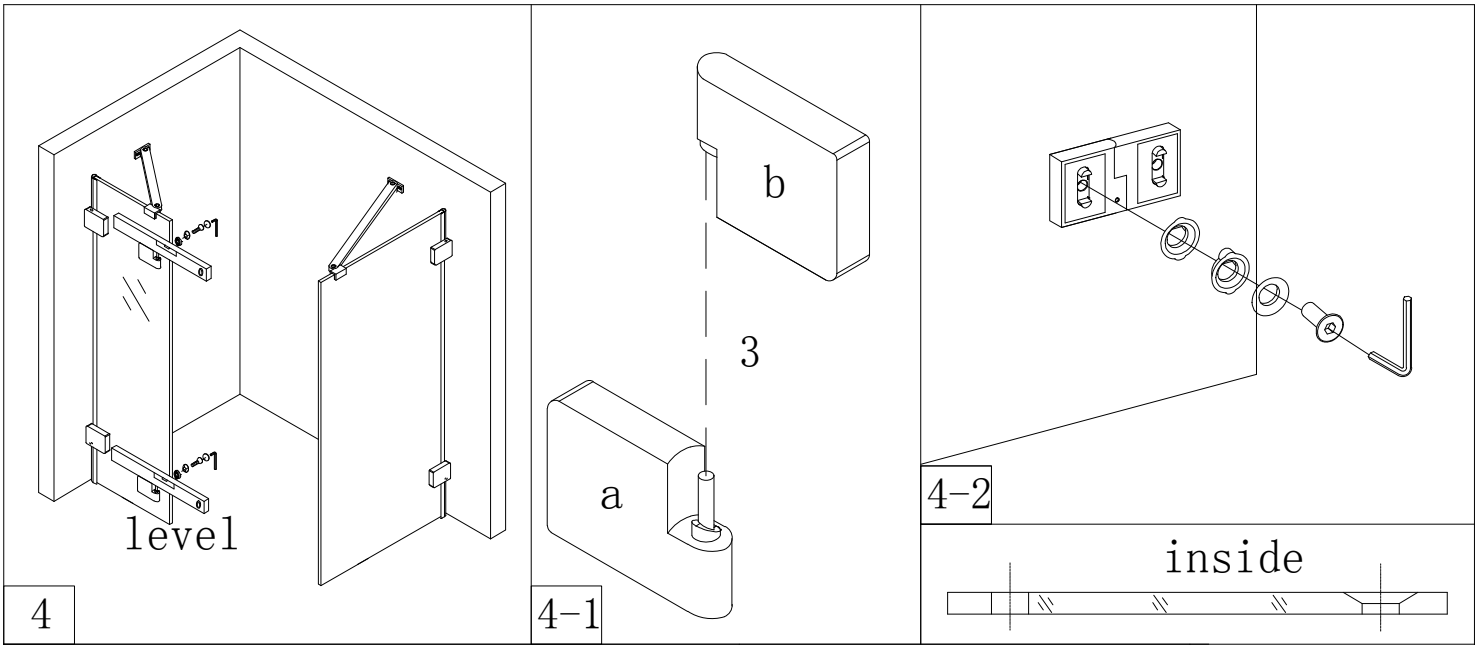


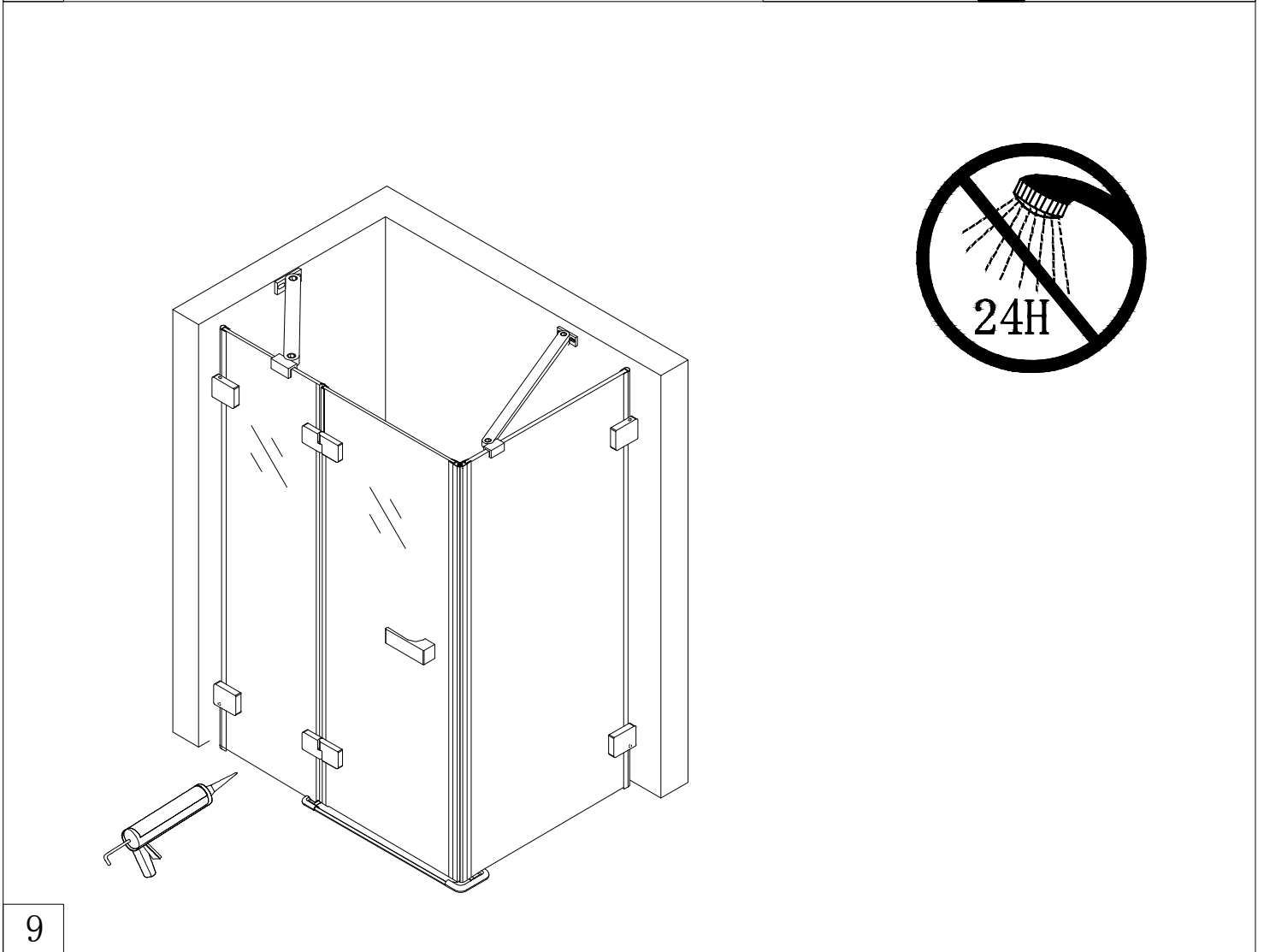
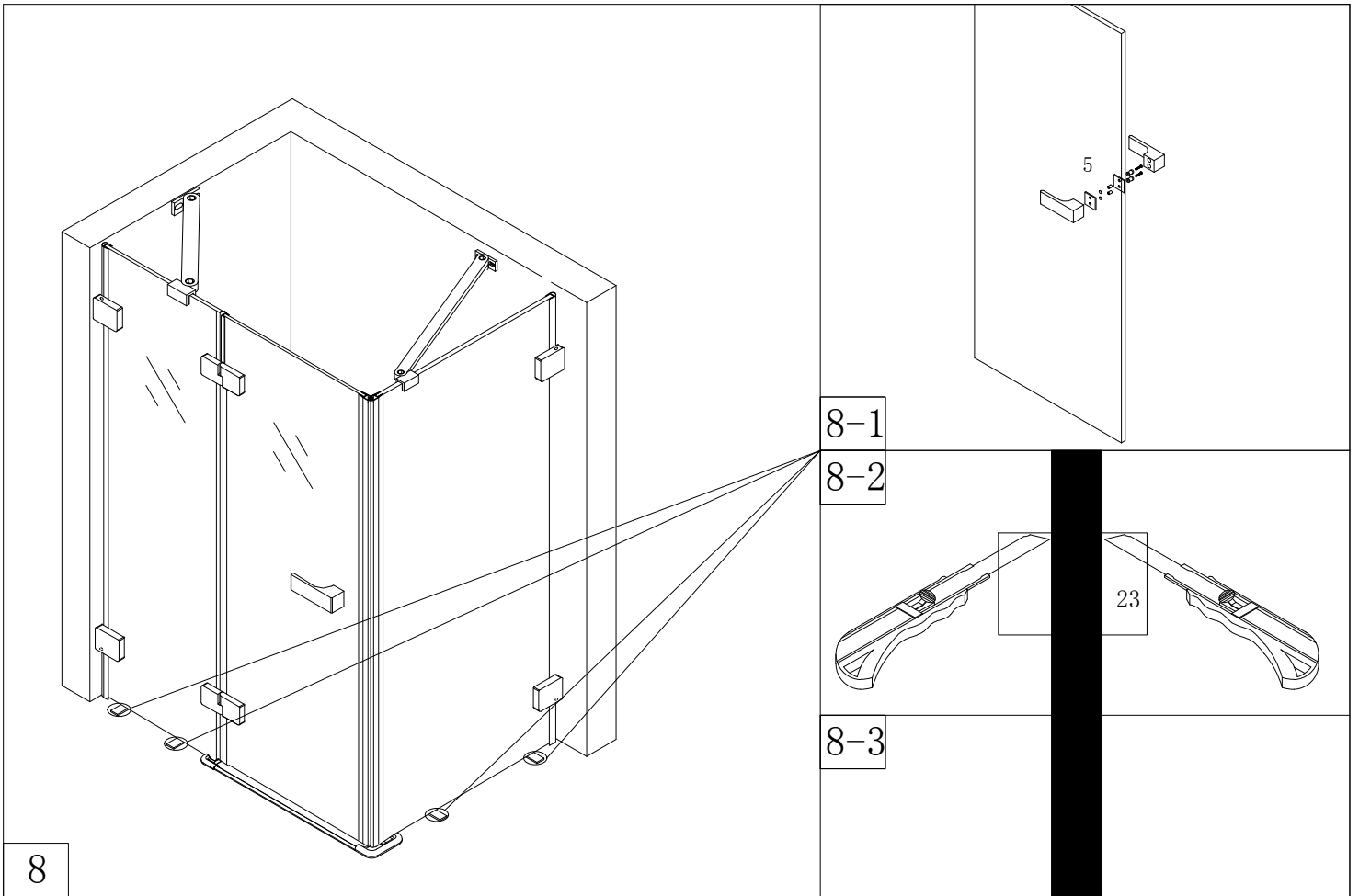


1	2 ST4X30	3	4	5	6
5+5Pcs	5+5Pcs	1Pc	1Pcs	1Pc	1+1Pc
7	8	9	10	11	12
1+1Pc	2+2Pcs	2+2Pcs	1+1Pc	2+2Pc	1Pc
13	14	15	16	17	18
1Pc	1Pc	1Pc	1Pc	1Pc	2Pcs
19	20	21	22	23	
4Pcs	2+2Pc	2+2Pc	2Pcs	X4 X4 X4 12Pcs	

Tools:









Nesměřice 52
285 22 Zruč nad Sázavou
Česká republika

tel.: +420 327 585 981
fax: +420 327 585 989

www.polysan.net