

TECHNICAL DATA



600.331.1



600.331.4



600.331.6

FEATURES

Angle H valve thermostatic

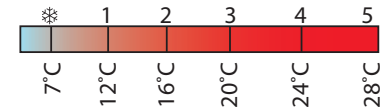
- Brass CW617N body, tail and nut
- Brass CW614N internal components
- ABS cap
- Sealing gasket O-ring: EPDM
- Chrome finishing TA, white TB, Black NN
- Threading to ISO 228/1
- PN 10: TEMP: -20°C ÷ 100°C

Thermostatic head with liquid sensor

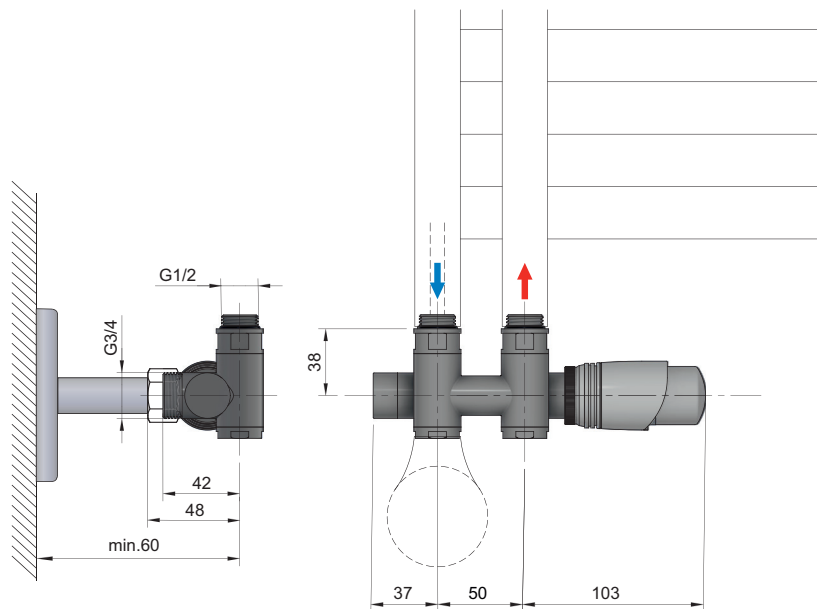
- Response time 26 min
- Differential pressure influence 0.80 K
- Max differential pressure 1.0 bar
- Hysteresis 0.5 K
- Water temperature influence 0.80 K
- Nominal flow rate 190 l/h

P. Max 10 bar

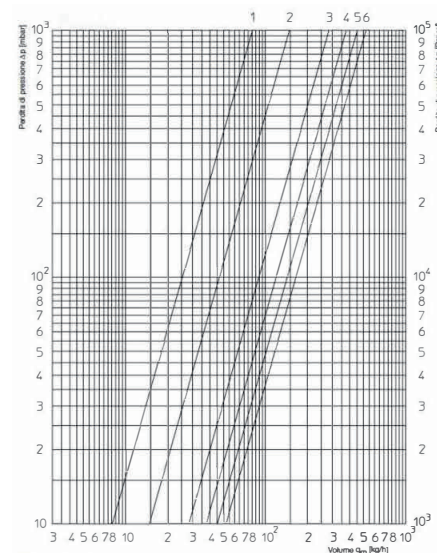
T. Max 100°C



TECHNICAL DRAWING

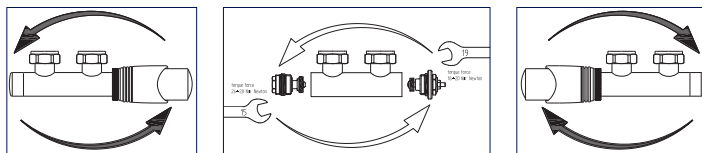


BALANCING DIAGRAM



	1	2	3	4	5	6
Kv a 1K P	0,08	0,13	0,20	0,22	0,25	0,28
Kv a 1,5K P	0,08	0,15	0,26	0,32	0,37	0,42
Kv a 2K P	0,08	0,15	0,28	0,37	0,44	0,52
Kvs						0,75

EXCHANGE OF RIGHT THERMOSTATIC VALVE TO LEFT SIDE



UBC s.r.o.
 Mělnická 87, 250 65 Bořanovice, Pakoměřice, Czech Republic
 Tel.: +420 283 090 760 | Fax: +420 283 090 761
 E-mail: info@sapho.cz | Internet: www.bruckner-sanitary.com

BRUCKNER