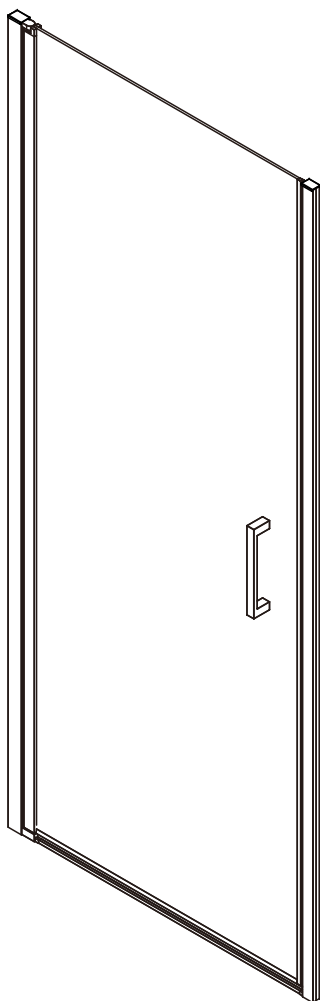
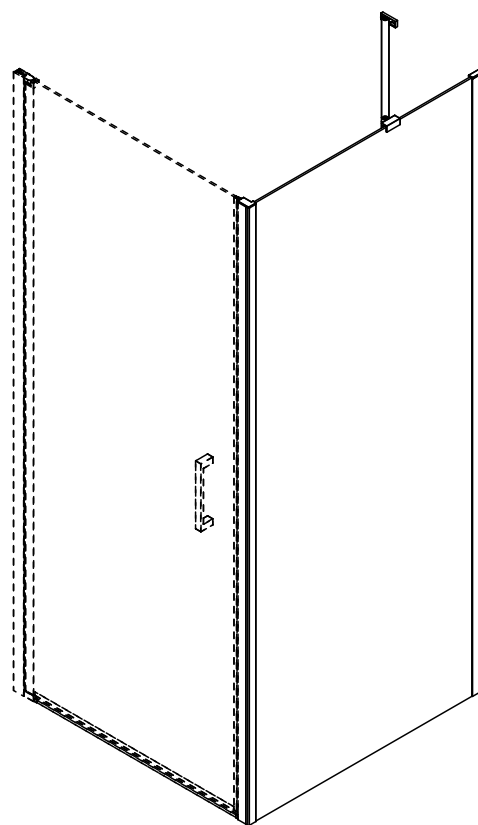


# montážní návod / installation instruction



**GN4470/GN4480/GN4490**



**GN3580/GN3590/GN3510  
GN3512**

EN14428

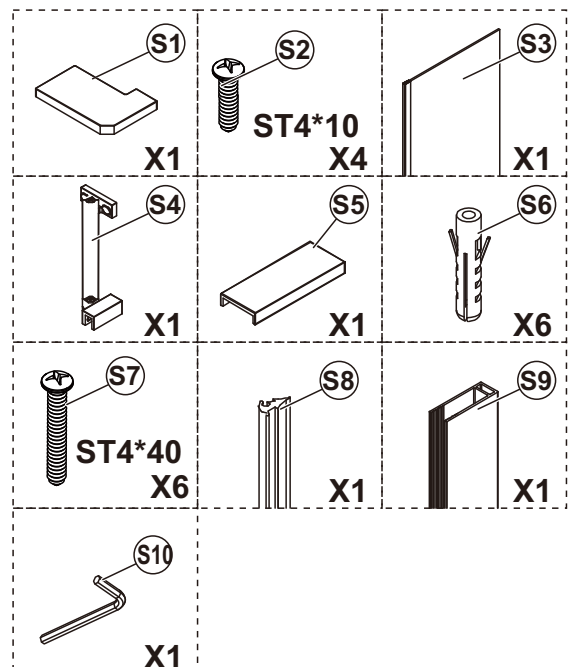
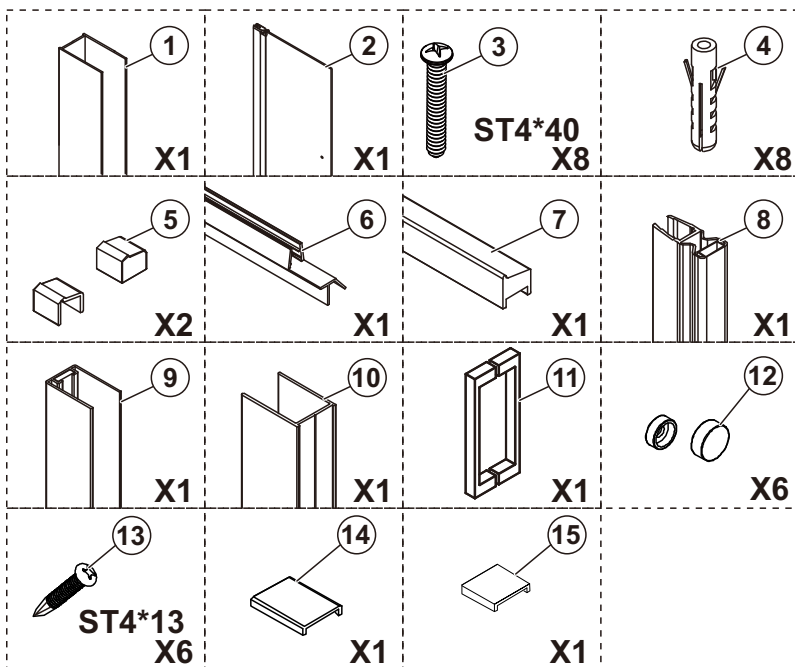
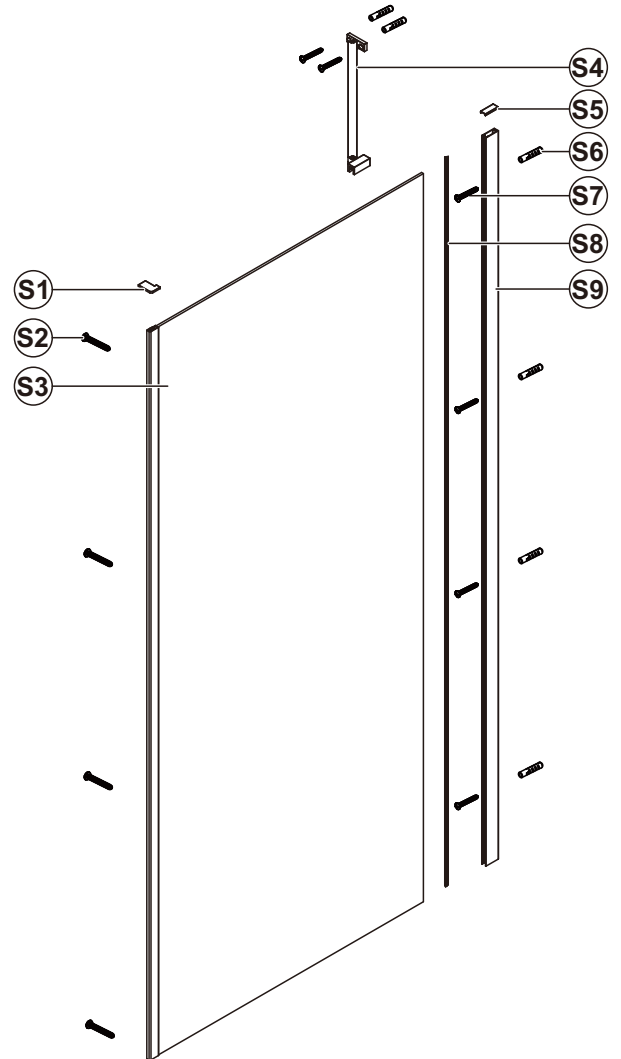
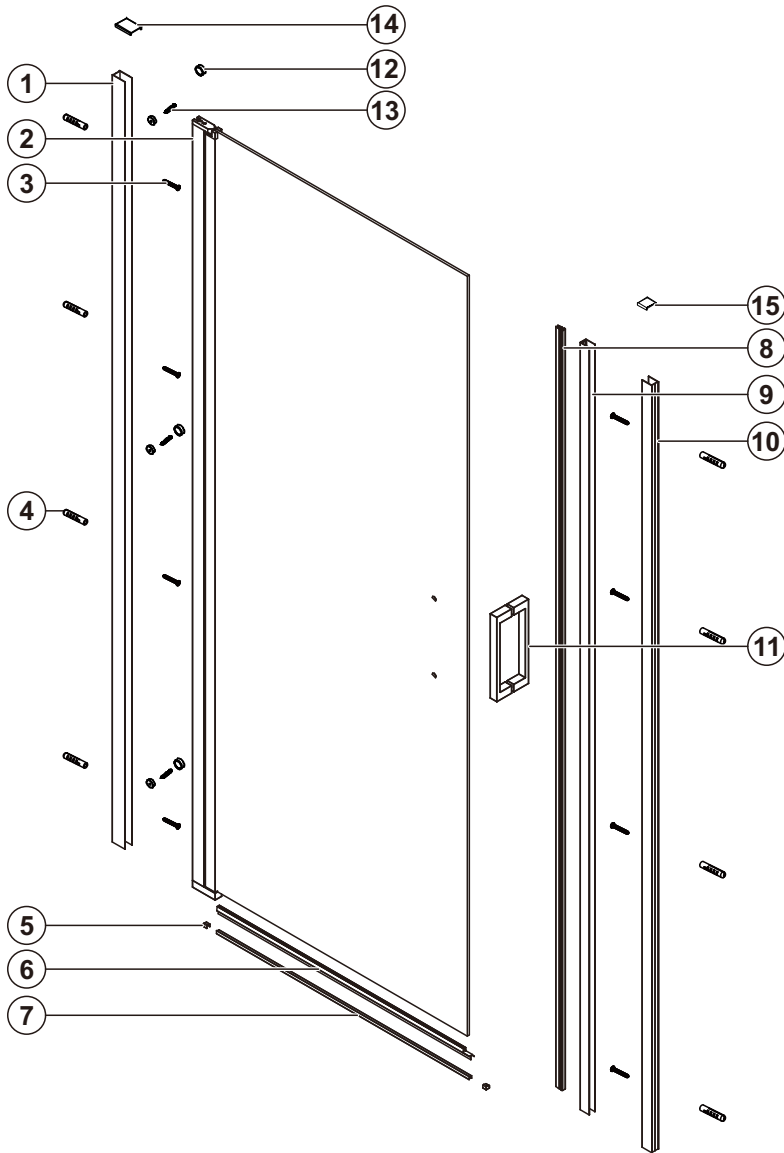
Glass shower enclosure  
cleaning efficiency: conforming  
impact resistance: conforming  
operating life: conforming

Skleněné sprchové zástěny  
schopnost: vyhovuje  
odolnost proti nárazu: vyhovuje  
životnost: vyhovuje

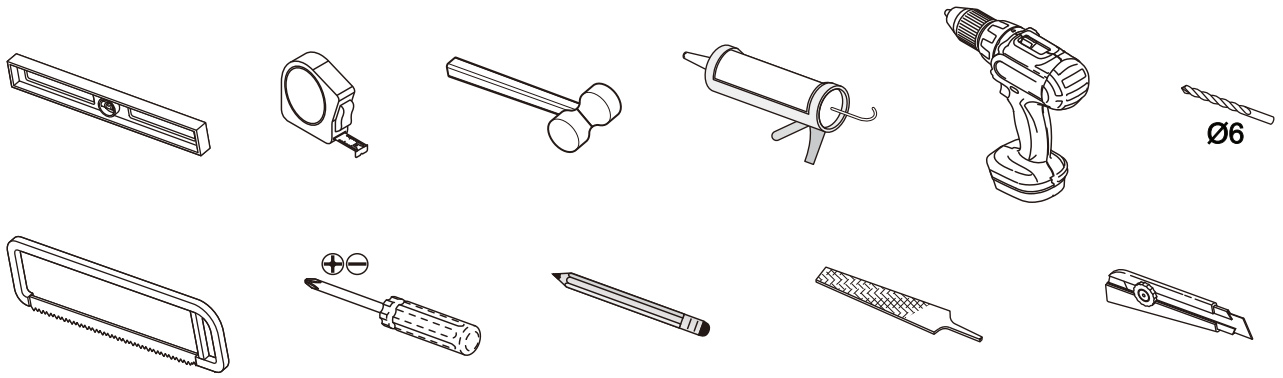
The logo for GELCO, featuring a stylized 'G' composed of two overlapping squares (one blue, one orange) followed by the word 'GELCO' in a bold, blue, sans-serif font.

GELCO s.r.o., Makovského 1341, 163 000 Praha 6

# PARTS LIST

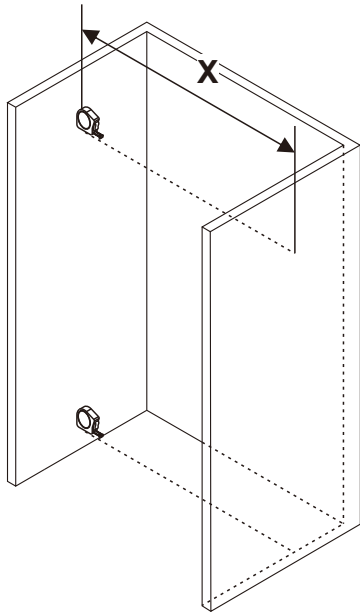


# TOOLS



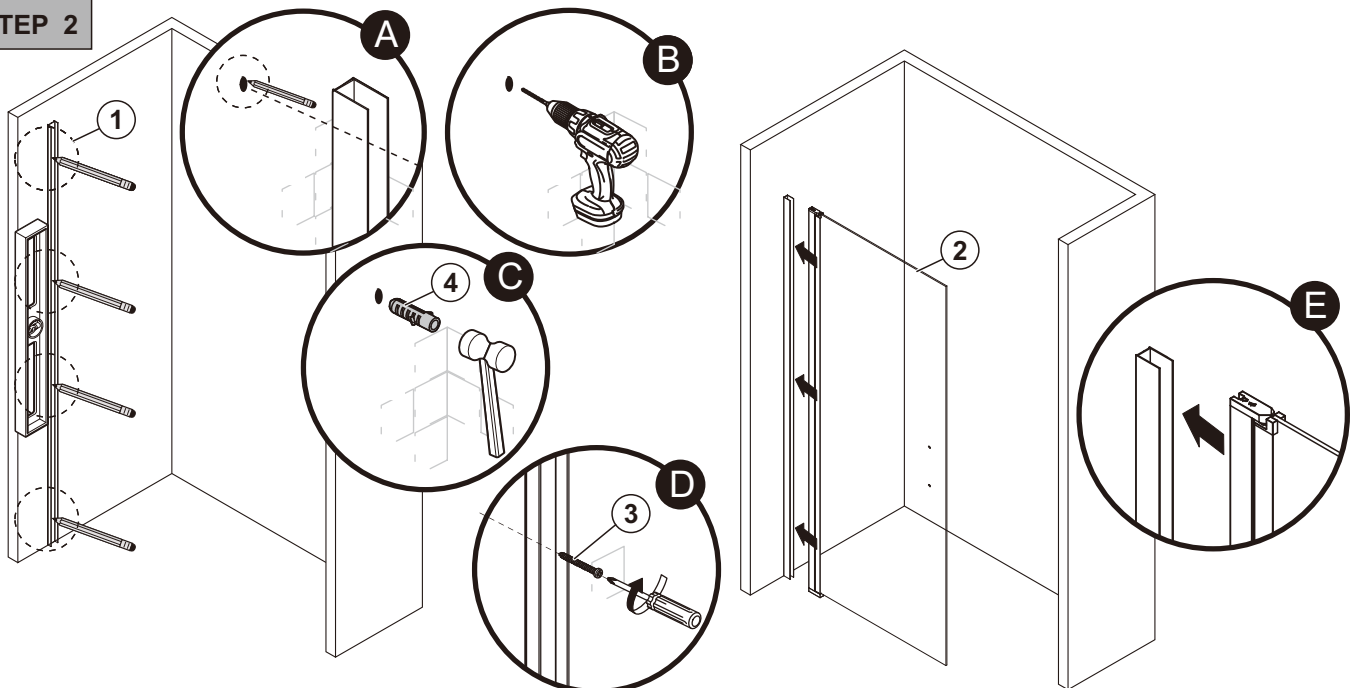
# INSTALLATION

## STEP 1

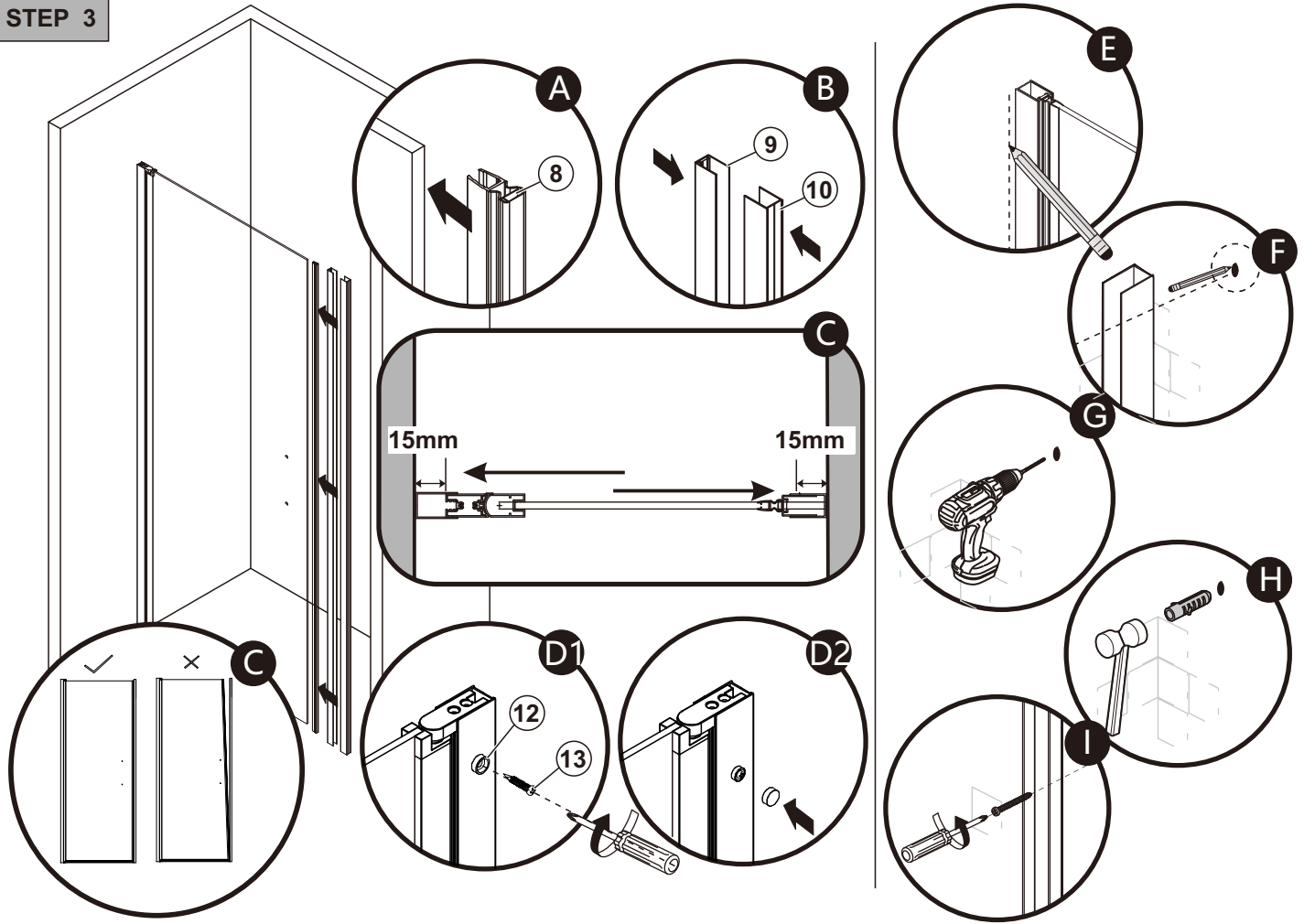


SIZE	X,mm
700X2000	675~705
800X2000	775~805
900X2000	875~905

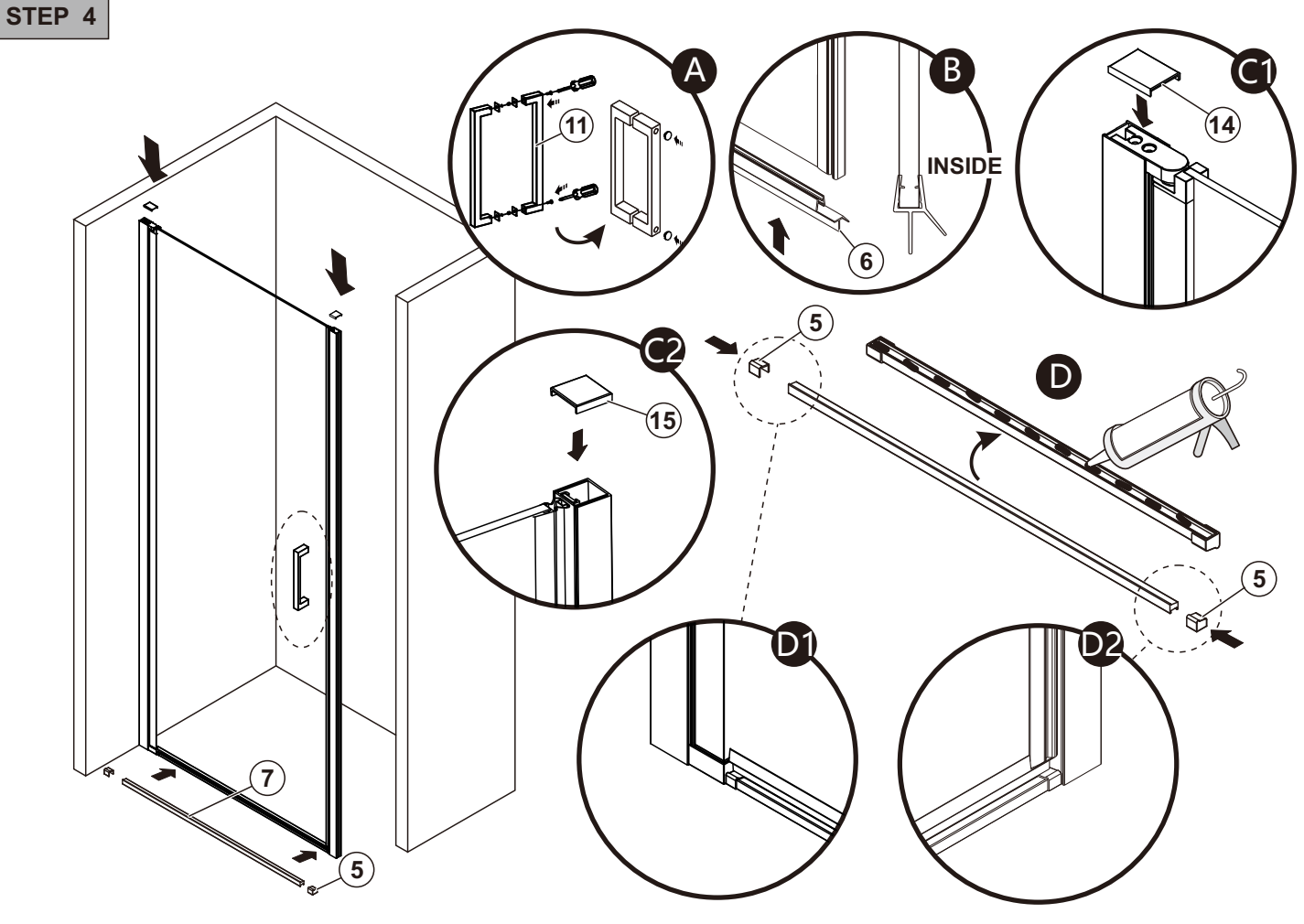
## STEP 2



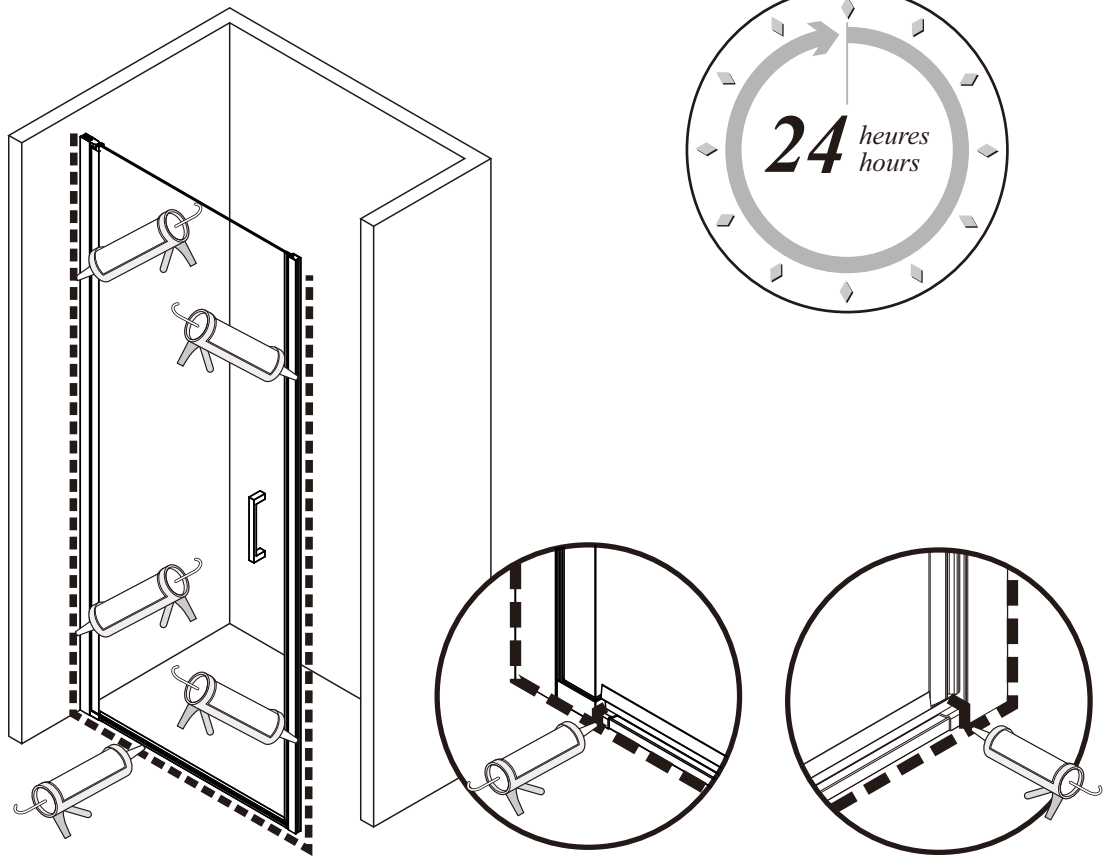
STEP 3



STEP 4

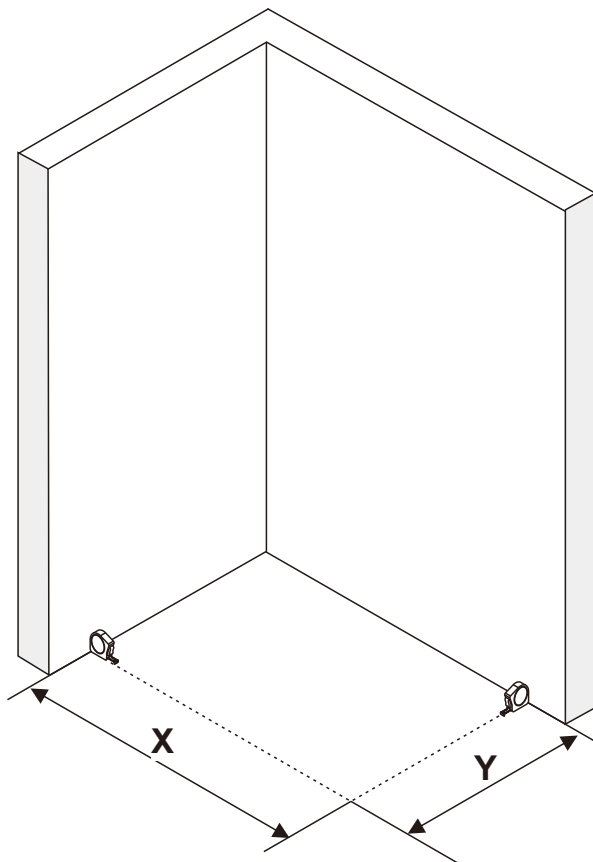


**STEP 5**



## **SIDE PANEL INSTALLATION**

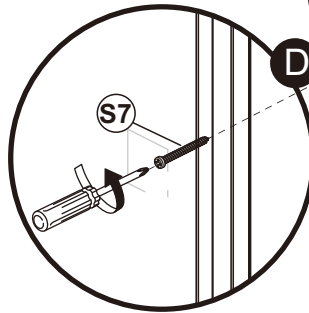
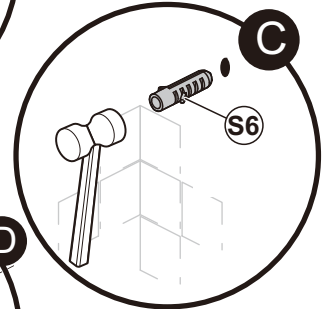
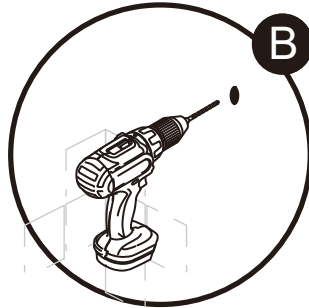
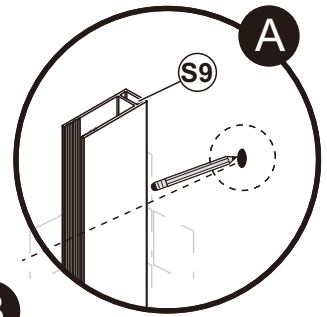
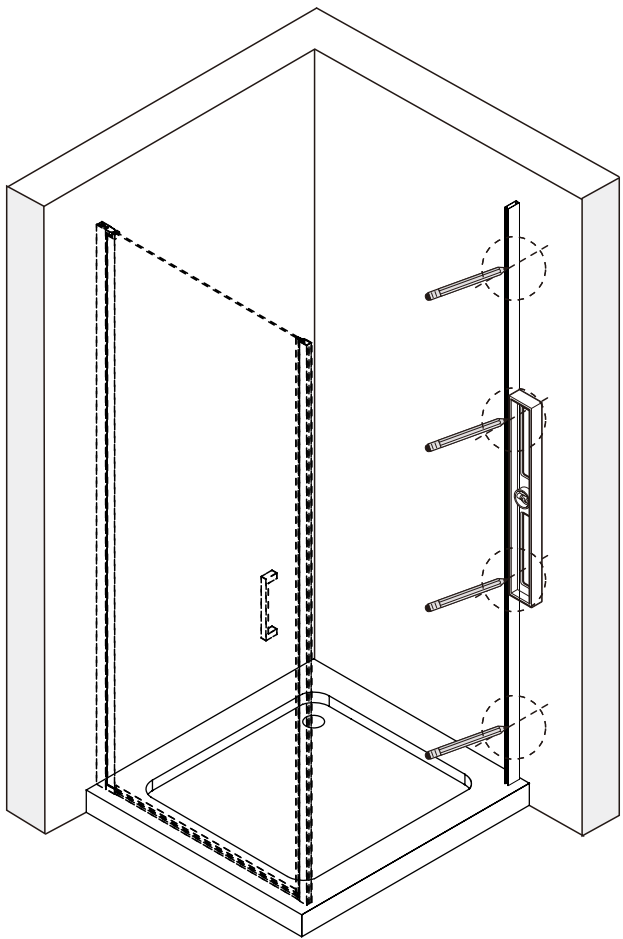
**STEP 1**



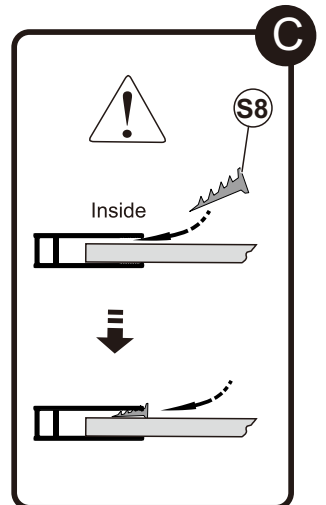
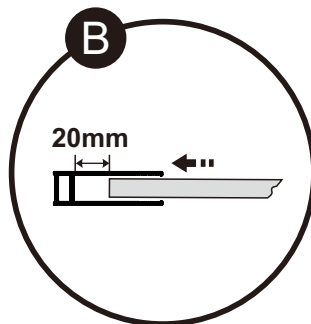
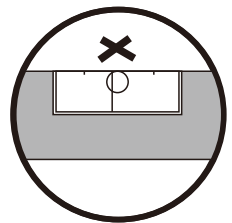
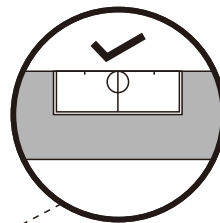
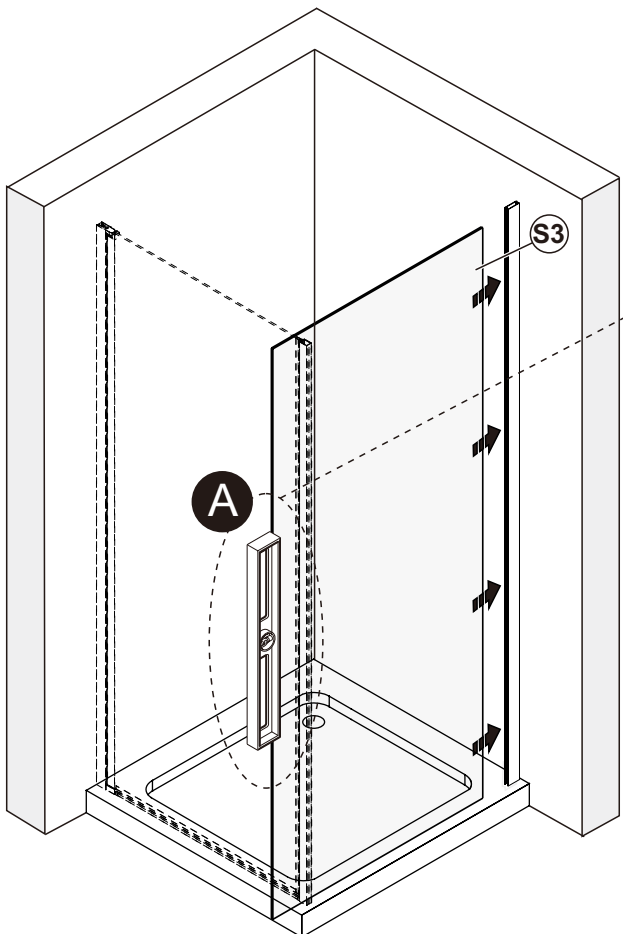
SIZE	X,mm
700X2000	685~715
800X2000	785~815
900X2000	885~915

SIZE	Y,mm
800X2000	785~805
900X2000	885~905
1000X2000	985~1005
1200X2000	1185~1205

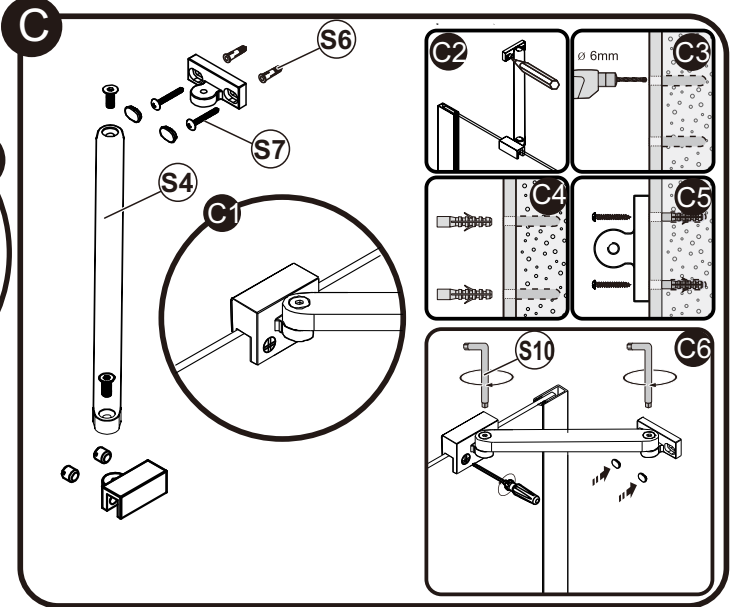
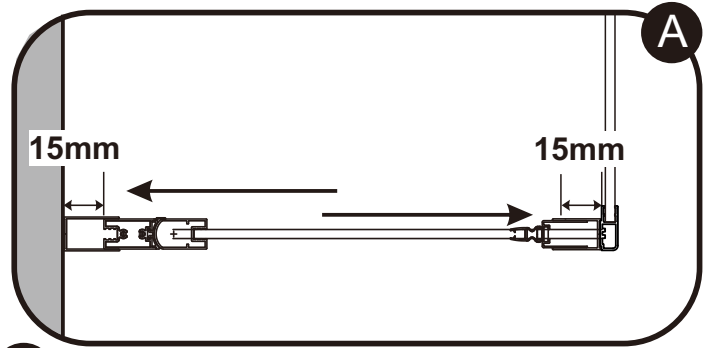
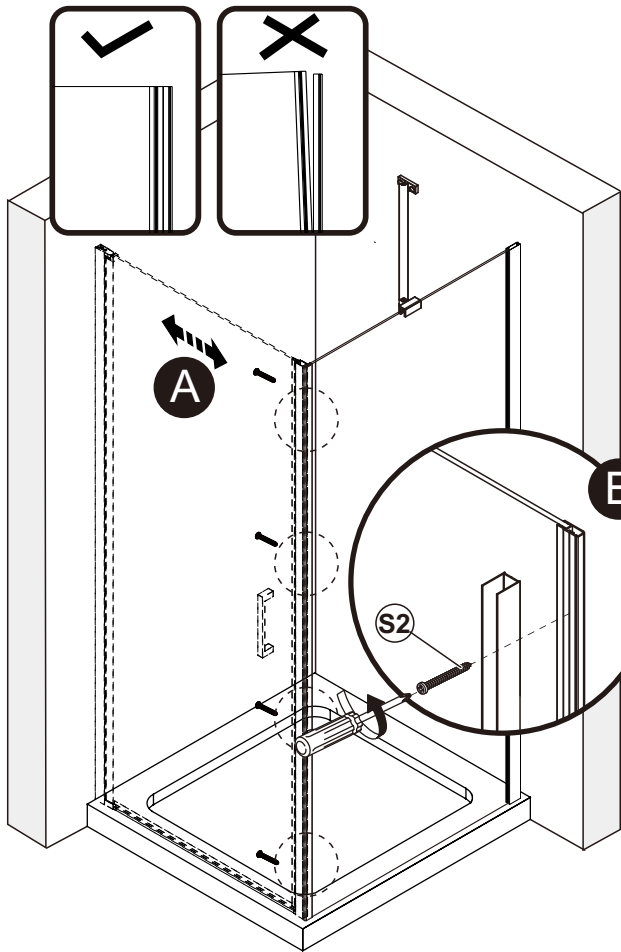
STEP 2



STEP 3



**STEP 4**



**STEP 5**

