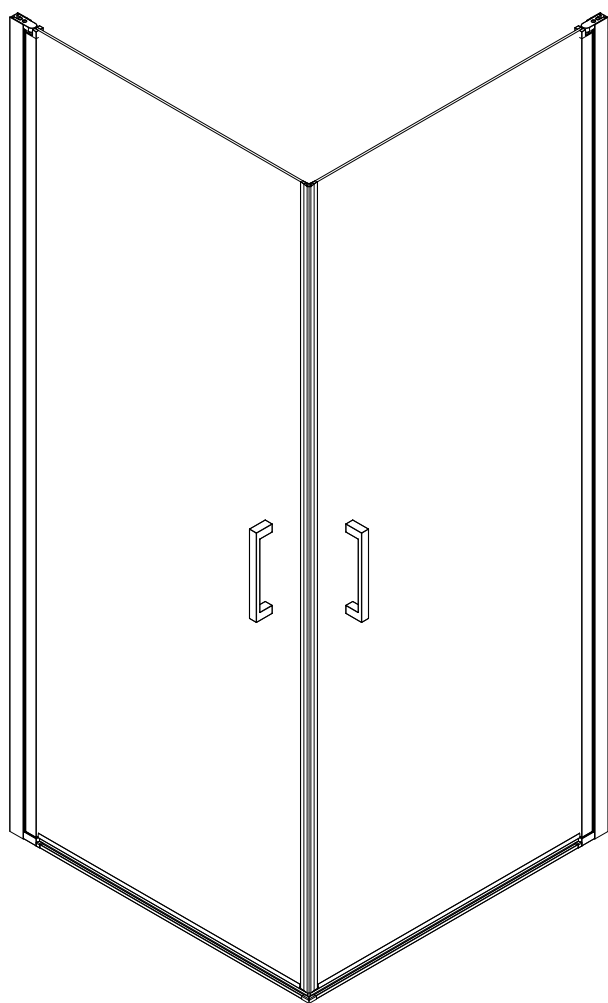


# montážní návod / installation instruction

## GN4970/GN4980/GN4990



EN14428

Glass shower enclosure  
cleaning efficiency: conforming  
impact resistance: conforming  
operating life: conforming

Skleněné sprchové zástěny  
schopnost: vyhovuje  
odolnost proti nárazu: vyhovuje  
životnost: vyhovuje

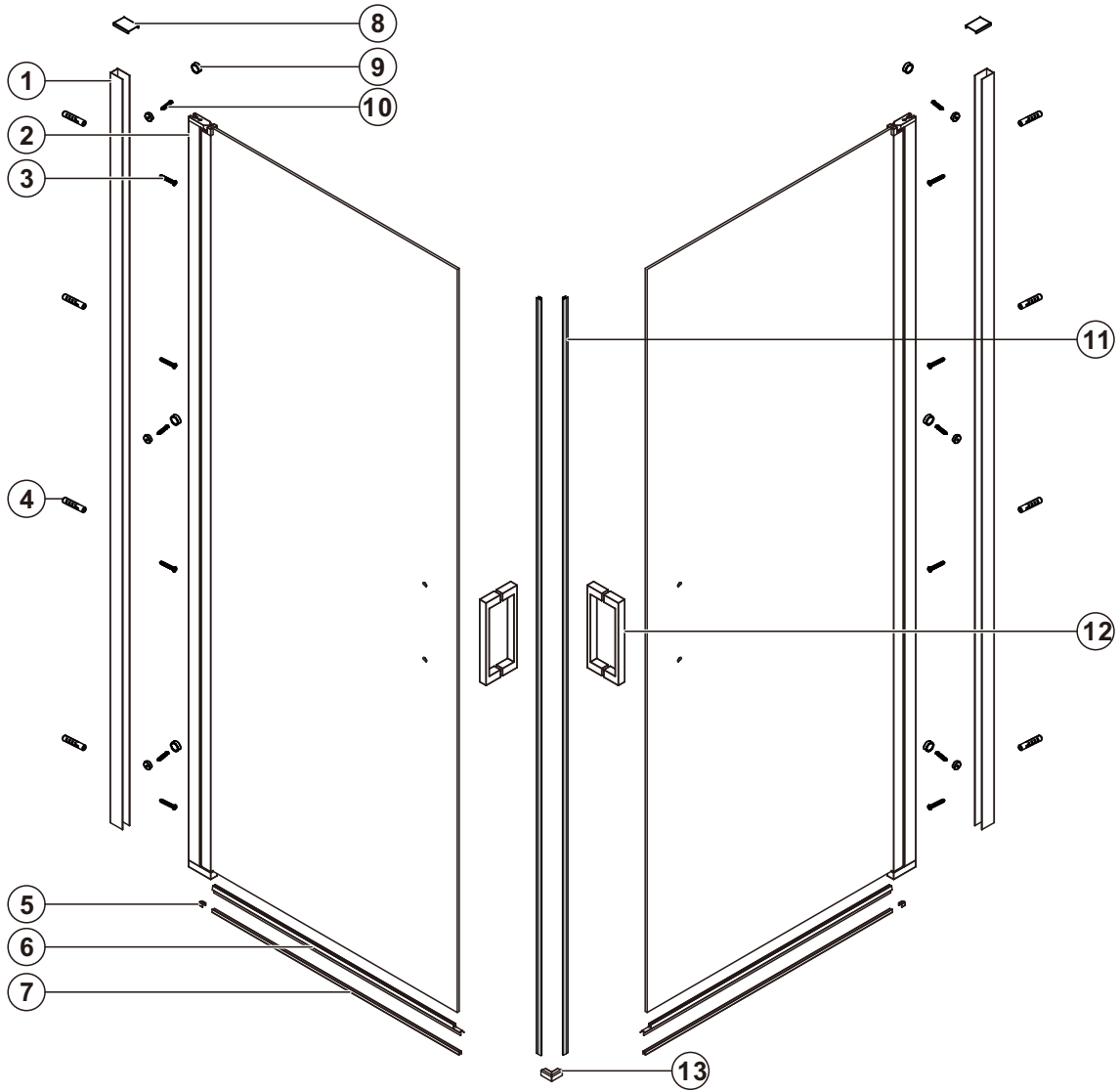
The logo for GELCO, featuring a stylized 'G' composed of two overlapping squares (one orange, one blue) followed by the word 'GELCO' in a bold, blue, sans-serif font.

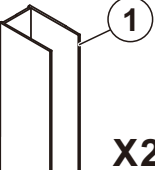
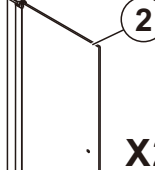
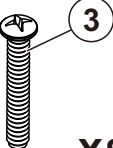
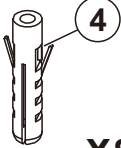
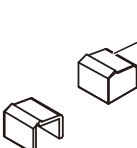
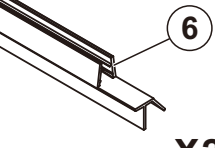
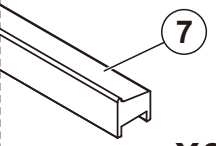
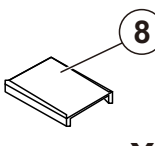
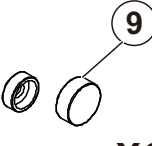
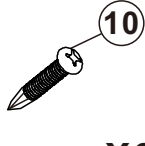
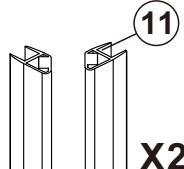
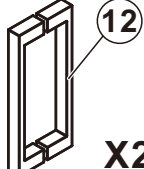
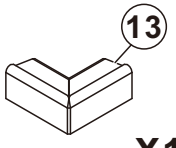
---

GELCO s.r.o., Makovského 1341, 163 000 Praha 6

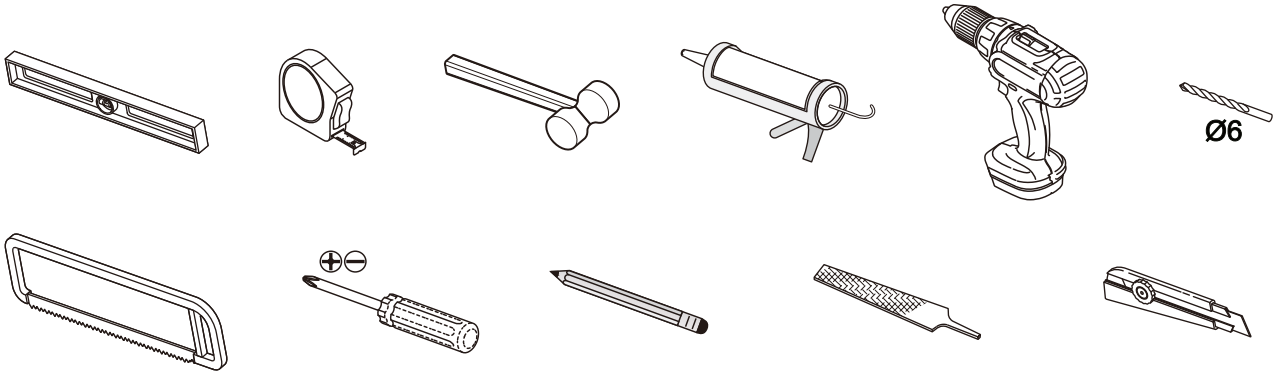
---

# PARTS LIST



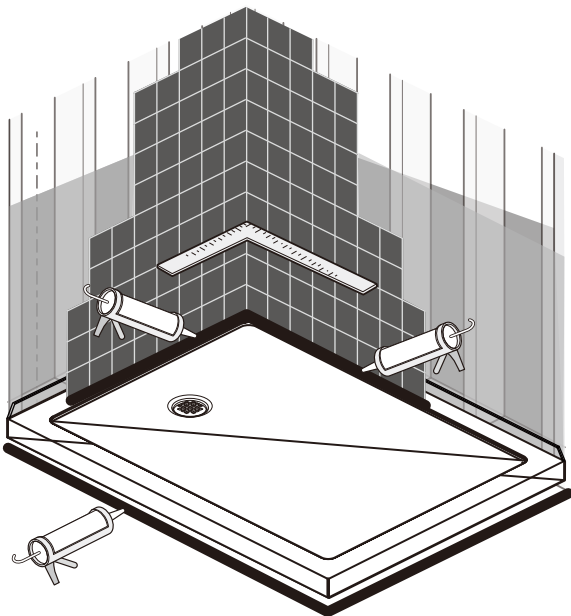
 <b>1</b> <b>X2</b>	 <b>2</b> <b>X2</b>	 <b>3</b> <b>X8</b>	 <b>4</b> <b>X8</b>	 <b>5</b> <b>X2</b>	 <b>6</b> <b>X2</b>
 <b>7</b> <b>X2</b>	 <b>8</b> <b>X2</b>	 <b>9</b> <b>X6</b>	 <b>10</b> <b>X6</b>	 <b>11</b> <b>X2</b>	 <b>12</b> <b>X2</b>
 <b>13</b> <b>X1</b>					

# TOOLS

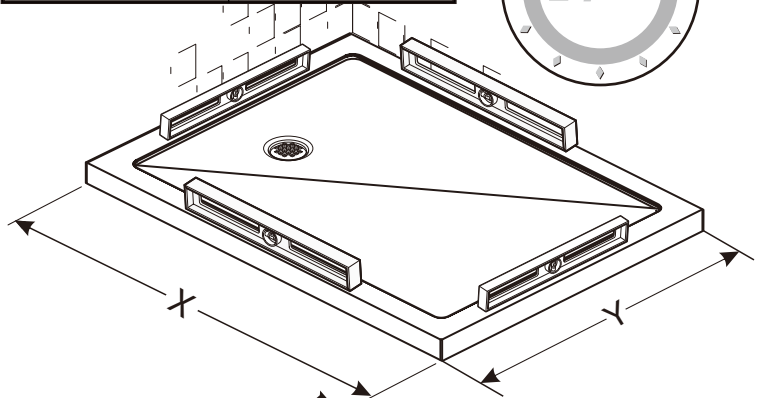


# INSTALLATION

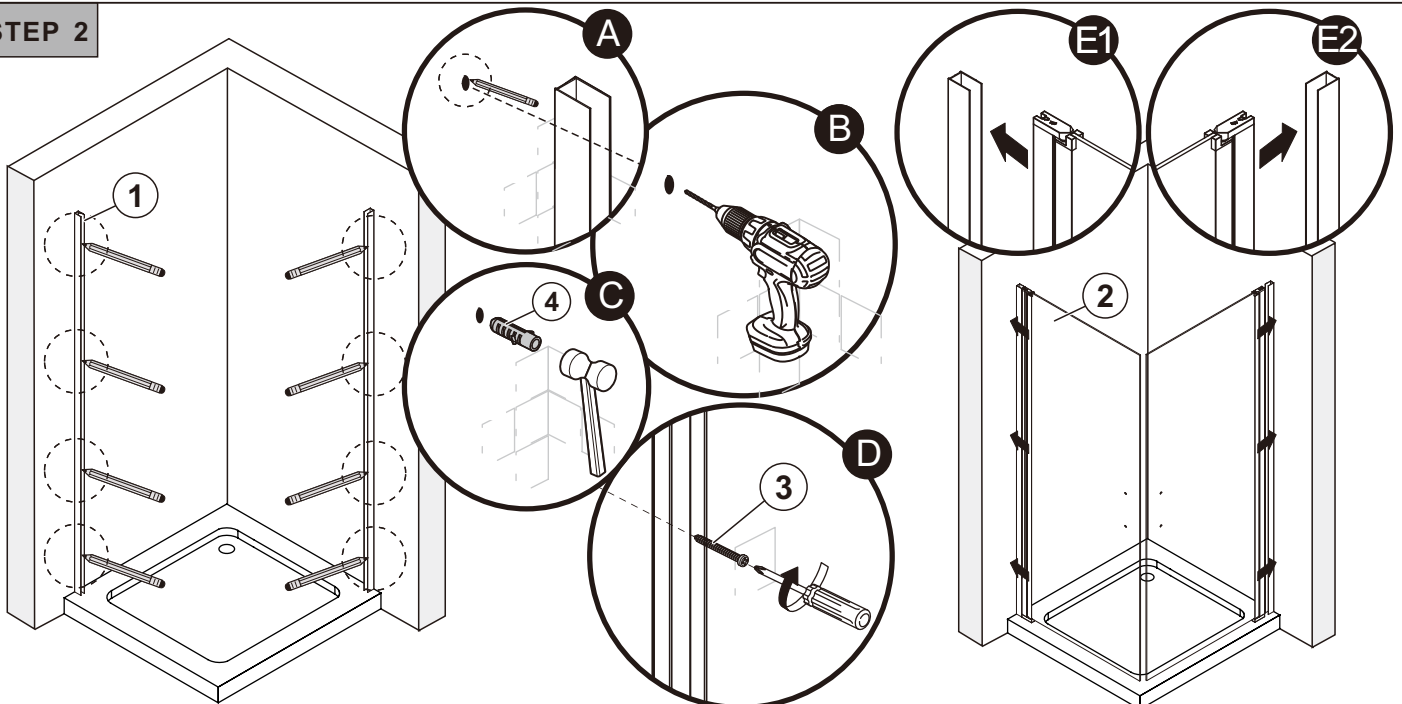
## STEP 1



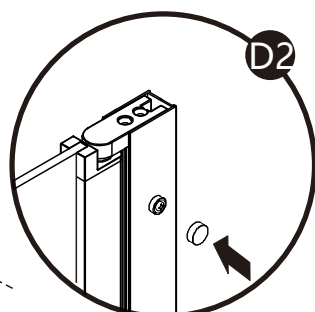
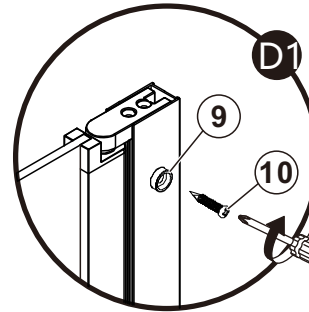
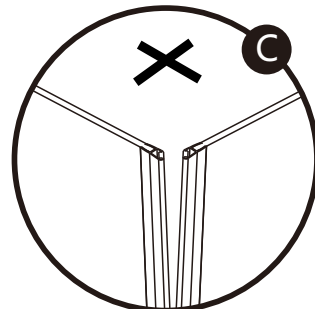
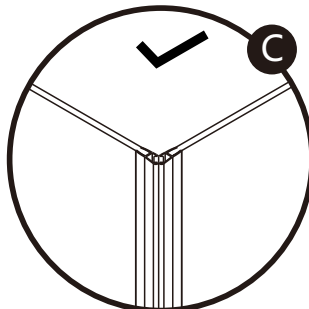
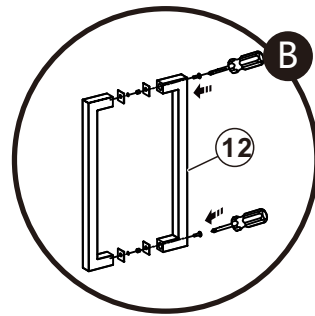
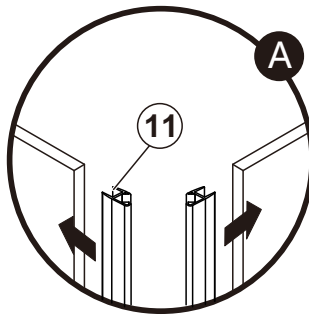
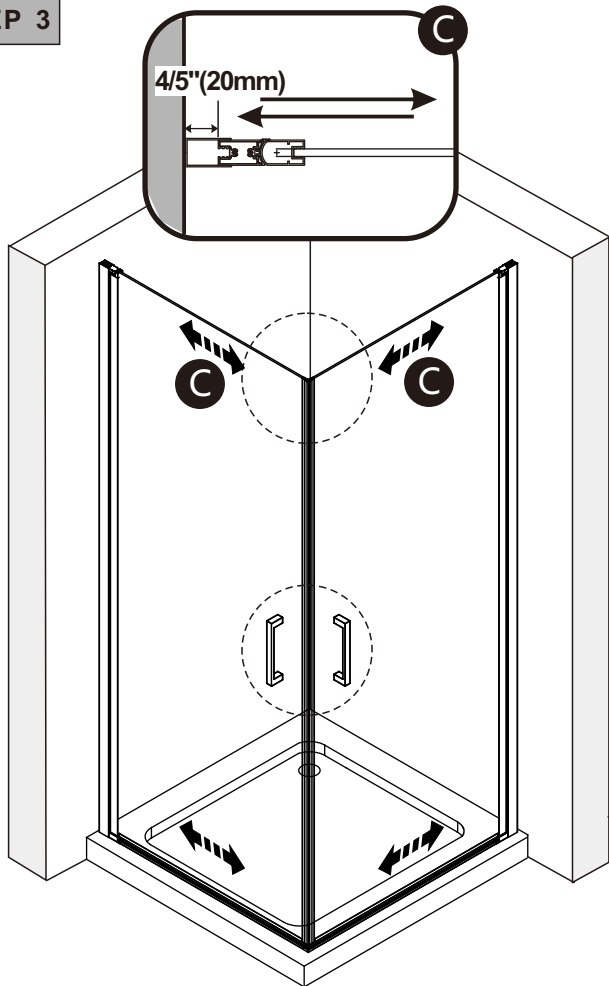
SIZE	X/Y,mm
700X2000	680~700
800X2000	780~800
900X2000	880~900



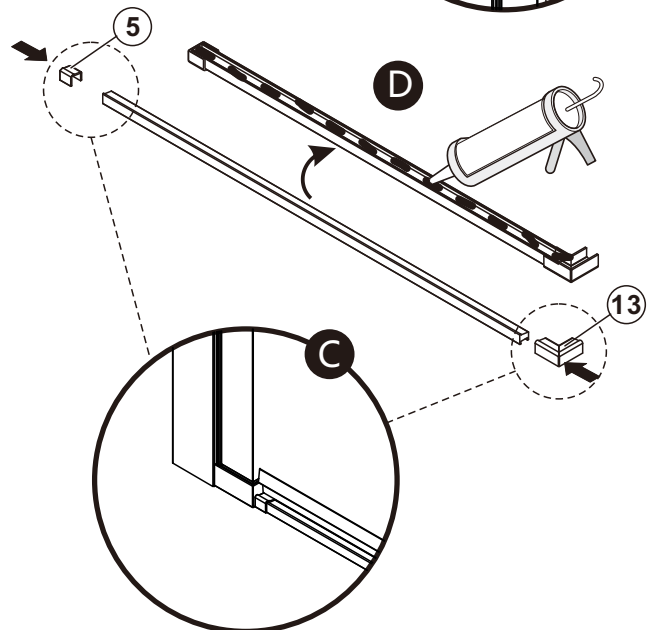
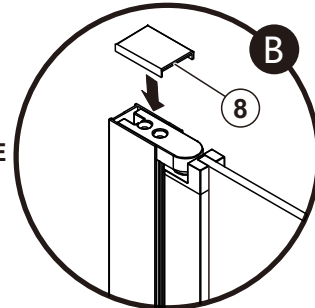
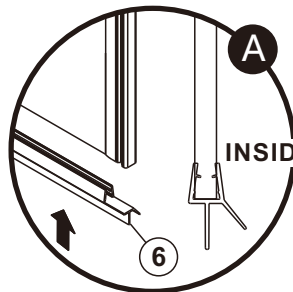
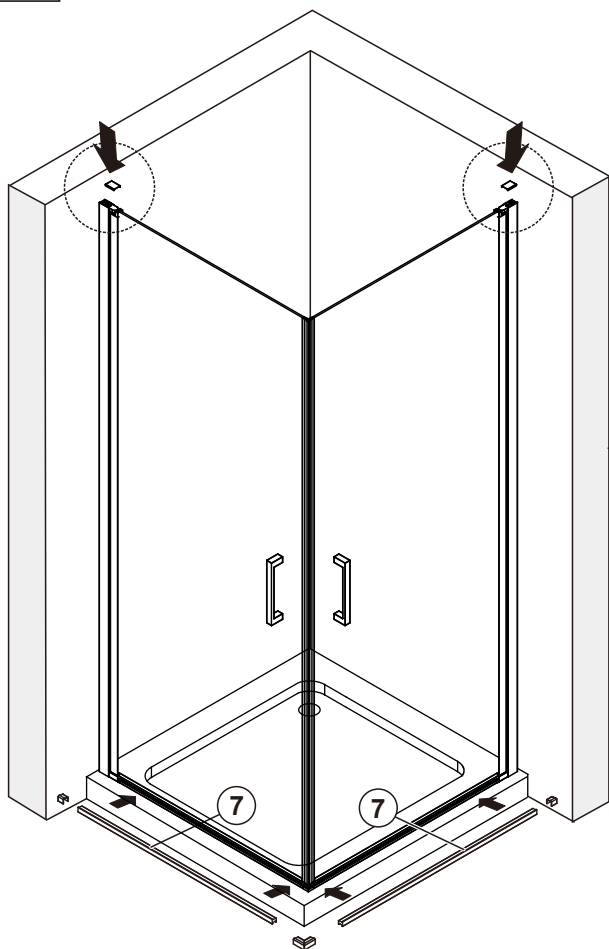
## STEP 2



STEP 3



STEP 4



STEP 5

