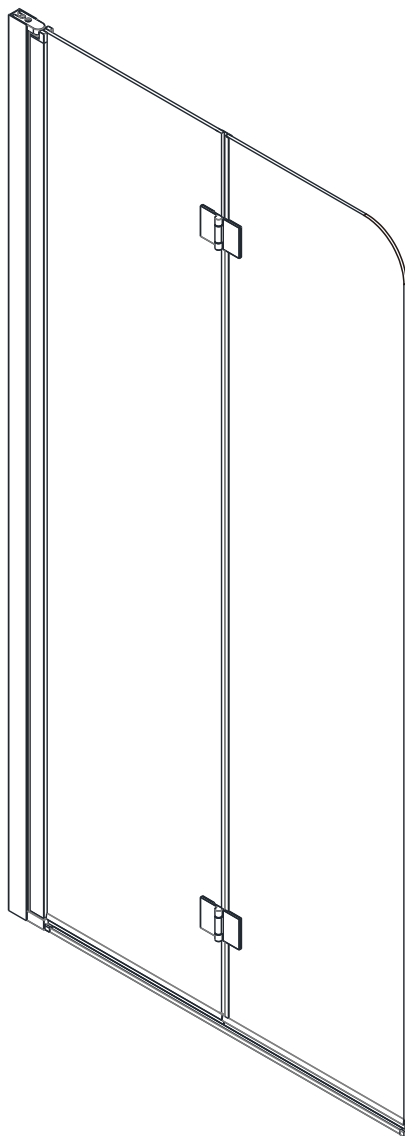


montážní návod / installation instruction



GN1190

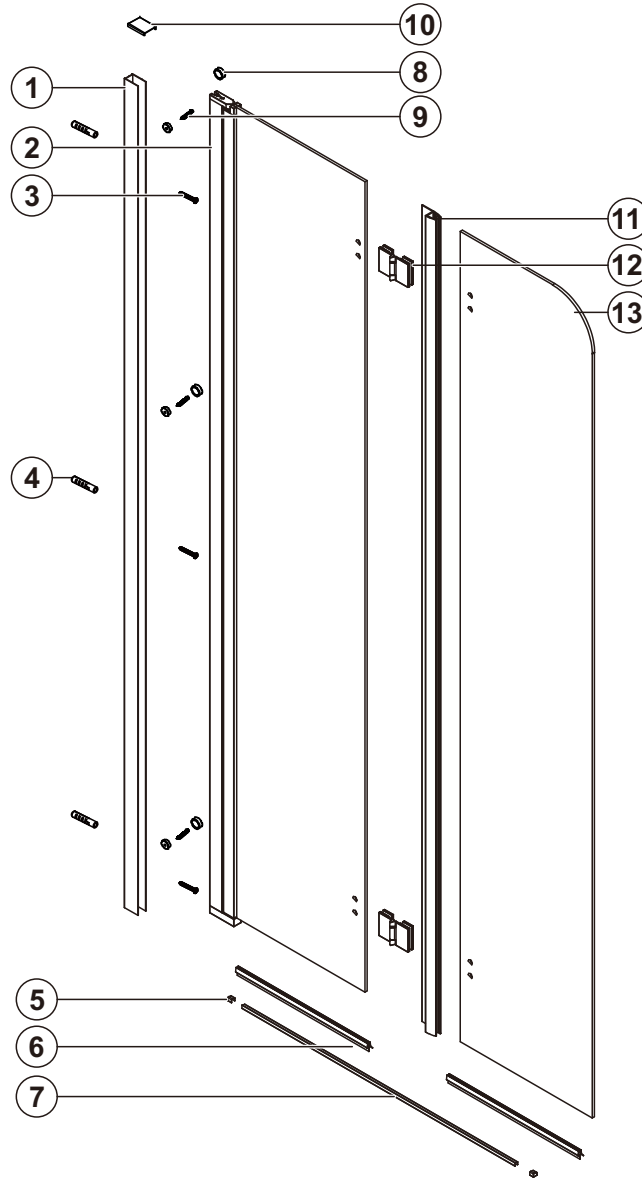
EN14428
Glass shower enclosure
cleaning efficiency: conforming
impact resistance: conforming
operating life: conforming

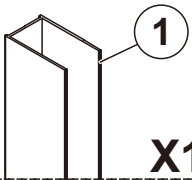
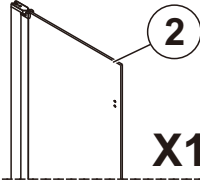
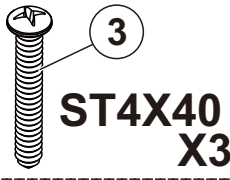
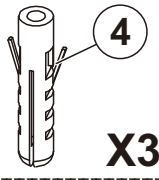
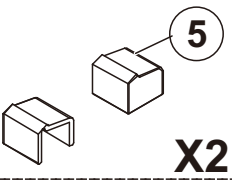
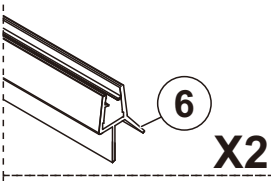
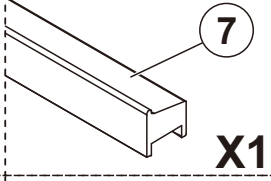
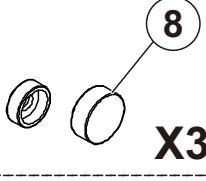
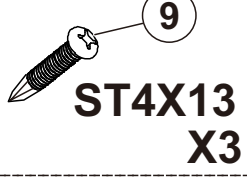
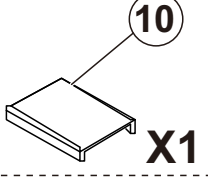
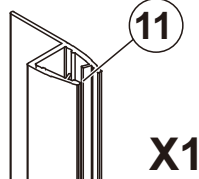
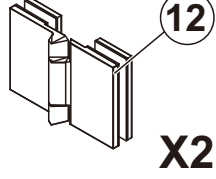
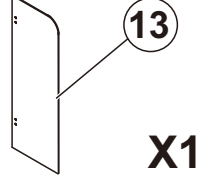
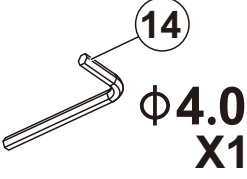
Skleněné sprchové zástěny
schopnost: vyhovuje
odolnost proti nárazu: vyhovuje
životnost: vyhovuje

The logo for GELCO, featuring a stylized 'G' composed of two overlapping squares (one orange, one blue) followed by the word 'GELCO' in a bold, blue, sans-serif font.

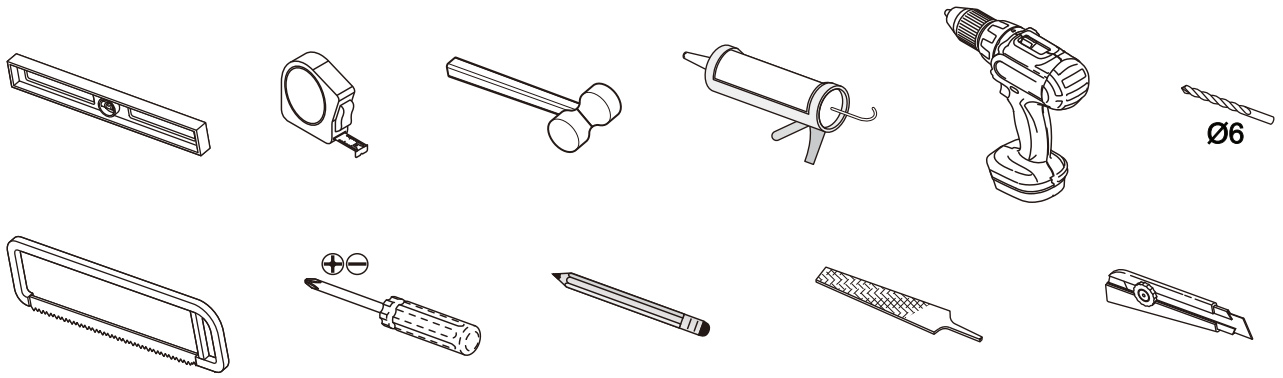
GELCO s.r.o., Makovského 1341, 163 000 Praha 6

PARTS LIST



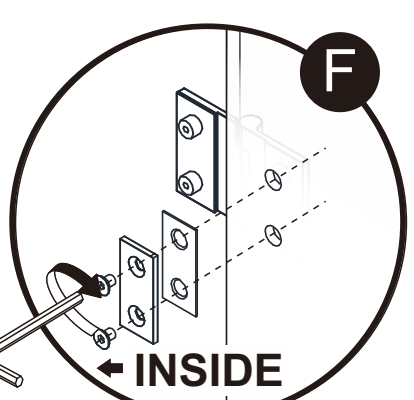
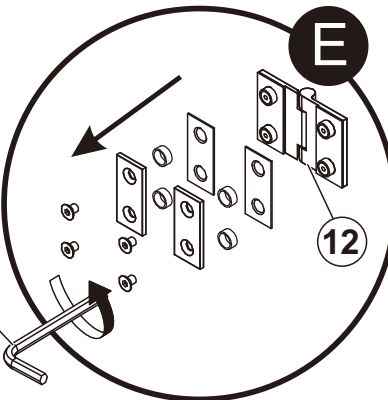
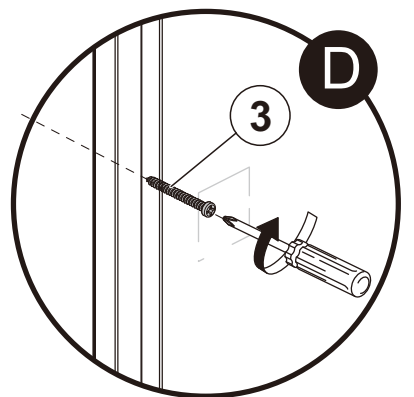
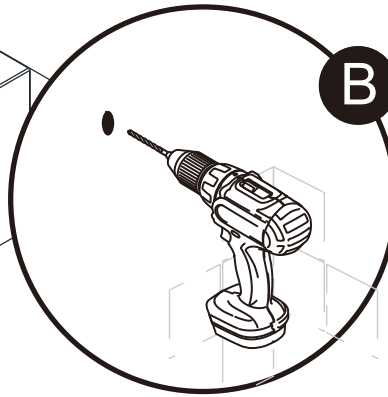
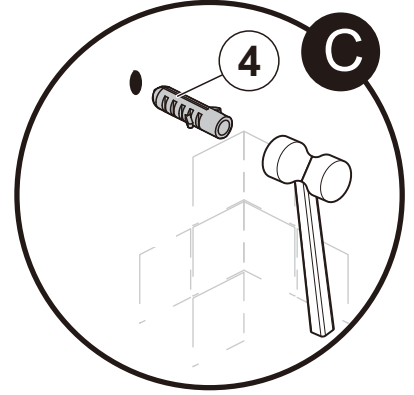
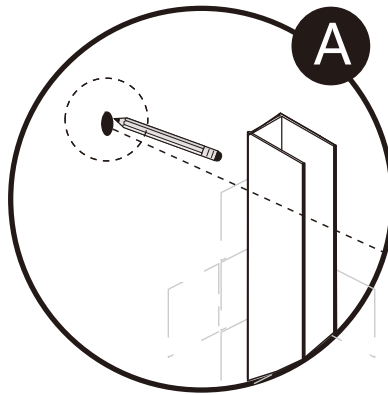
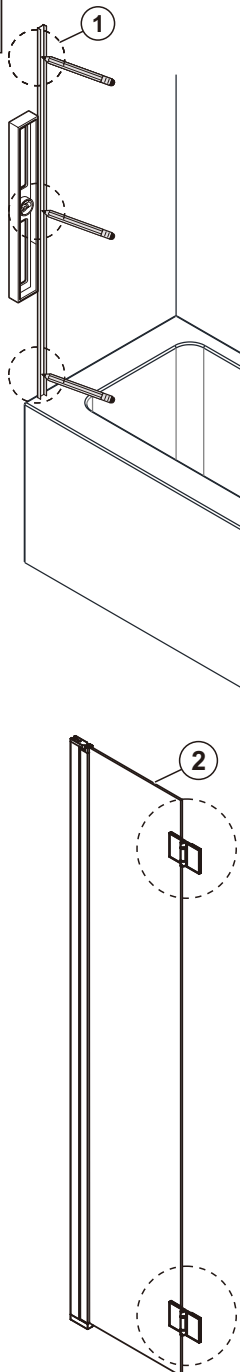
 <p>1 X1</p>	 <p>2 X1</p>	 <p>3 ST4X40 X3</p>	 <p>4 X3</p>	 <p>5 X2</p>
 <p>6 X2</p>	 <p>7 X1</p>	 <p>8 X3</p>	 <p>9 ST4X13 X3</p>	 <p>10 X1</p>
 <p>11 X1</p>	 <p>12 X2</p>	 <p>13 X1</p>	 <p>14 Φ4.0 X1</p>	

TOOLS

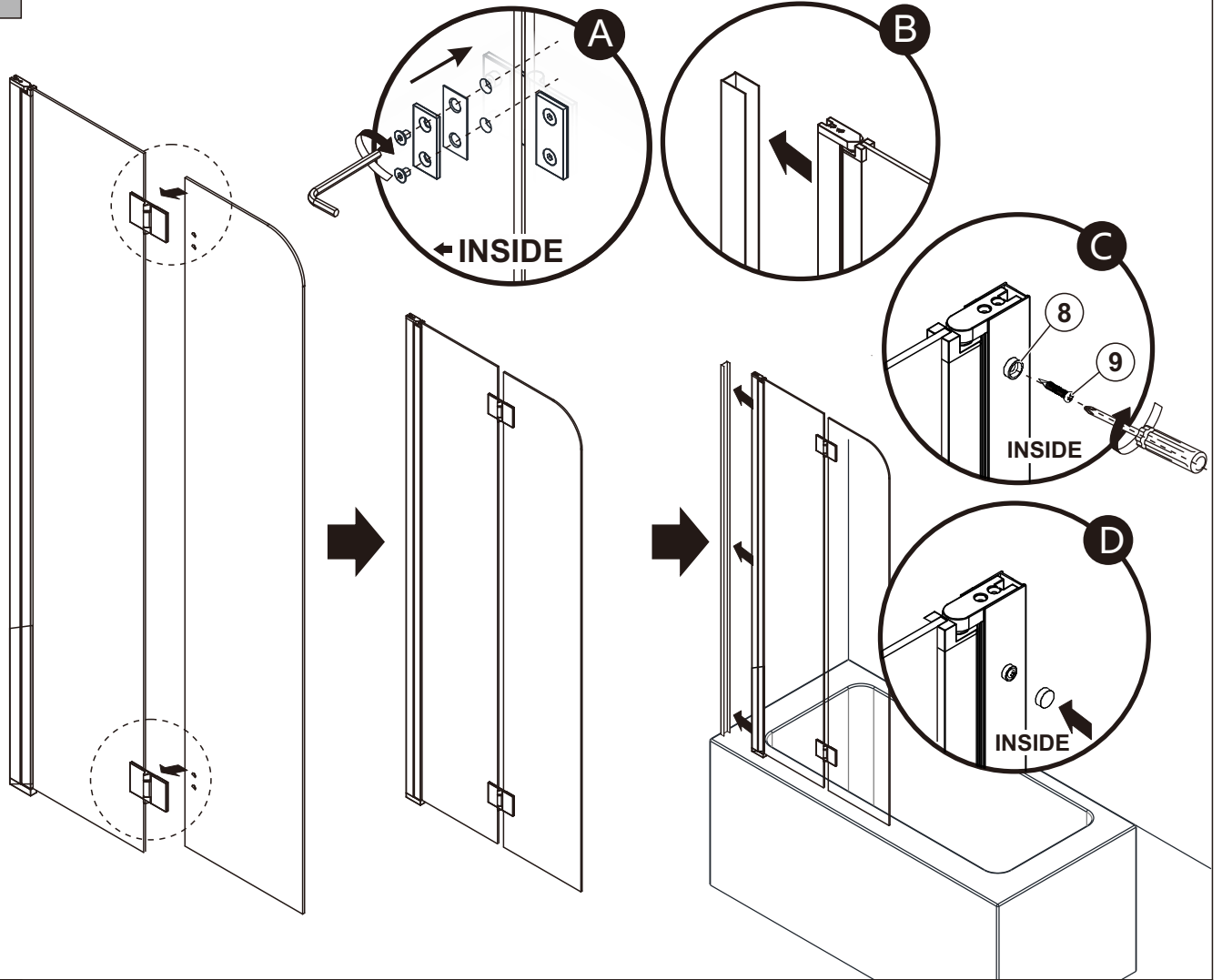


INSTALLATION

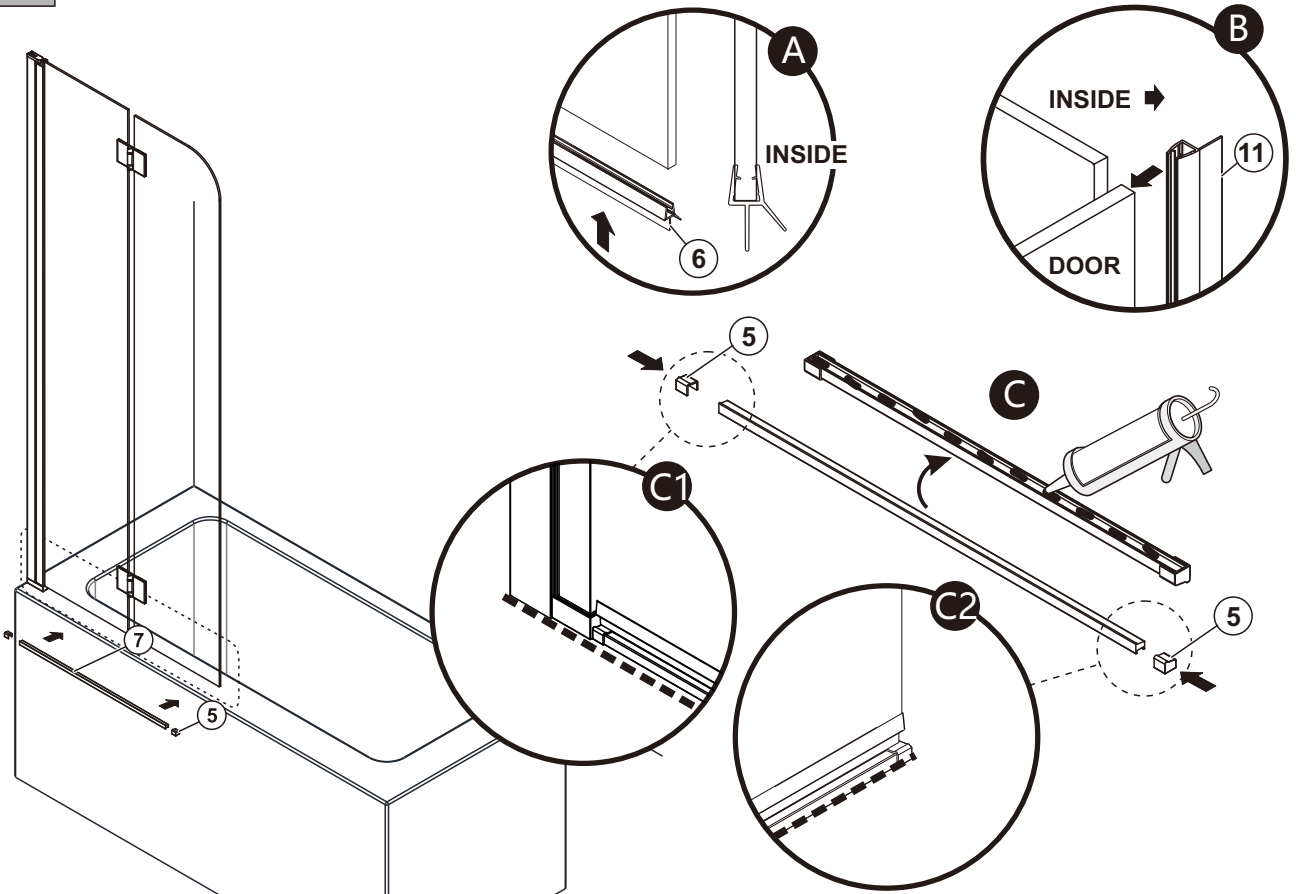
STEP 1



STEP 2



STEP 3



STEP 4

